

*PPT VISION, Inc.*

# **IMPACT A-Series Ringlight Mounting Guide**

PPT Publication # 843-0113 Rev B



---

## Disclaimer

PPT VISION, Inc. makes no representations or warranties for merchantability or fitness for any particular purpose, regarding PPT's software or hardware. PPT VISION, Inc. shall not be liable for errors contained herein or for incidental or consequential damages in connection with the furnishing, performance, or use of this publication or its contents.

PPT VISION, Inc. reserves the right to revise this publication from time to time and to make changes in the content hereof without obligation to notify any person of such revision or changes.

Under the copyright laws, neither this publication nor the software may be copied, photocopied, reproduced, or reduced to any electronic medium or machine-readable form, in whole or in part, without the prior written consent of PPT VISION, Inc.

**Telephone:** 952-996-9500  
**Facsimile:** 952-996-9501  
**Web site:** <http://www.pptvision.com>  
**E-Mail:** [support@pptvision.com](mailto:support@pptvision.com)

IMPACT, A10, and A20 are trademarks of PPT VISION, Inc.

Copyright © 2007-2008 PPT VISION, Inc. All Rights Reserved

---

## Technical Support

If you have technical questions about the operation of any PPT VISION product, contact your distributor or PPT VISION, Inc. Please have the following information available before you call:

- The version number of IMPACT Software Suite software you are running. To find it, click the information icon on the title bar.
- The type and version number of the operating system software you are running on the client computer.
- The model and serial numbers of the IMPACT device you are using.

# Introduction

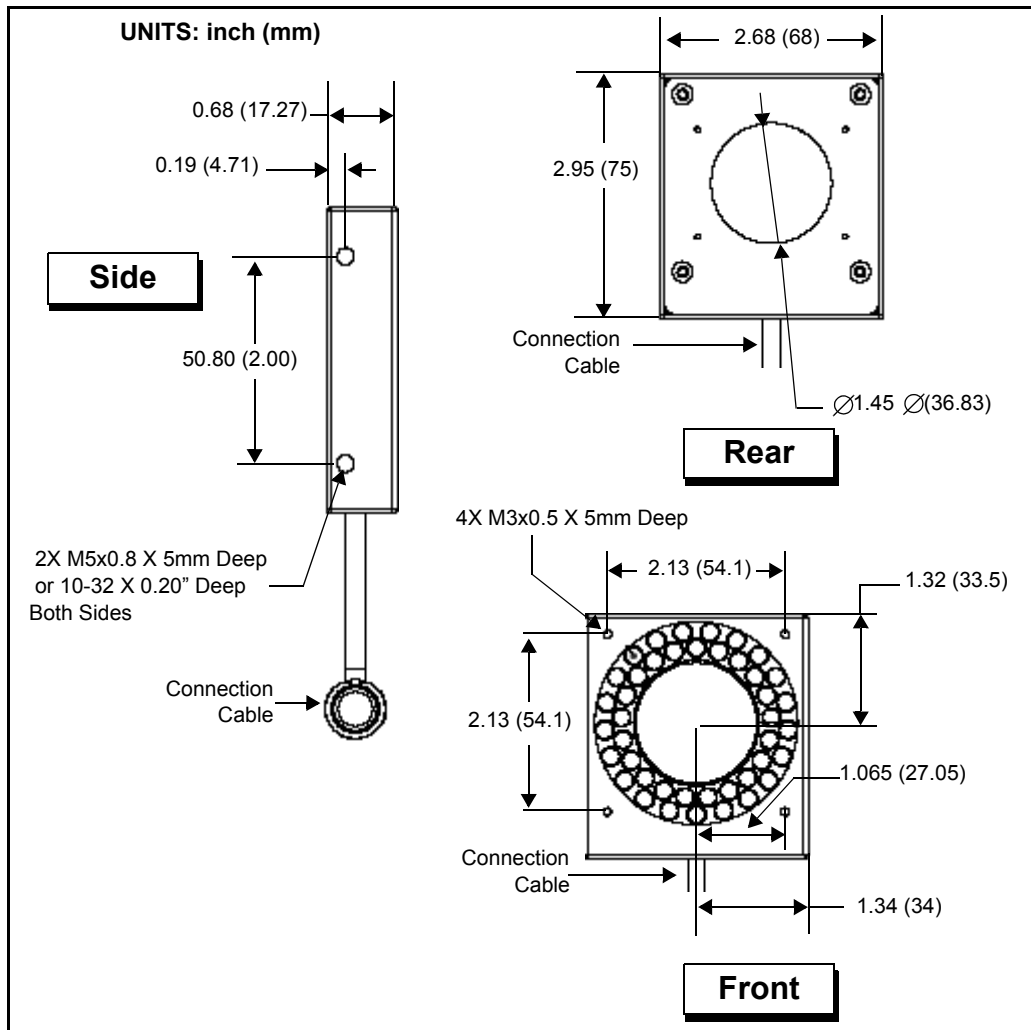
This manual describes the optional LED ringlights that can be used with the IMPACT A-Series camera. These ringlights can be mounted directly on the camera (using the LED ringlight adapter kit), or remotely, to provide maximum light for optimal image quality.

## IMPACT LED Ringlight

This section describes the IMPACT LED ringlight (PPT Part # 661-0376-xx). The last three digits of the part number indicate the LED color: BL = blue, IR = infrared, NIR = near infrared, RD = red, and WHT = white. The ringlight can be mounted remotely, or directly on the A-Series camera body using the optional LED ringlight adapter kit (PPT Part # 651-0131).

## IMPACT LED Ringlight dimensions

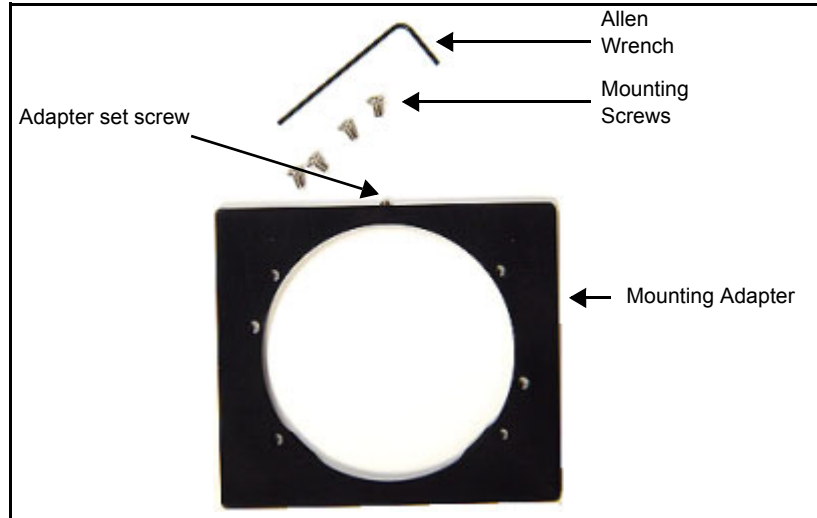
Here are the LED ringlight mounting dimensions.



## IMPACT LED Ringlight Adapter

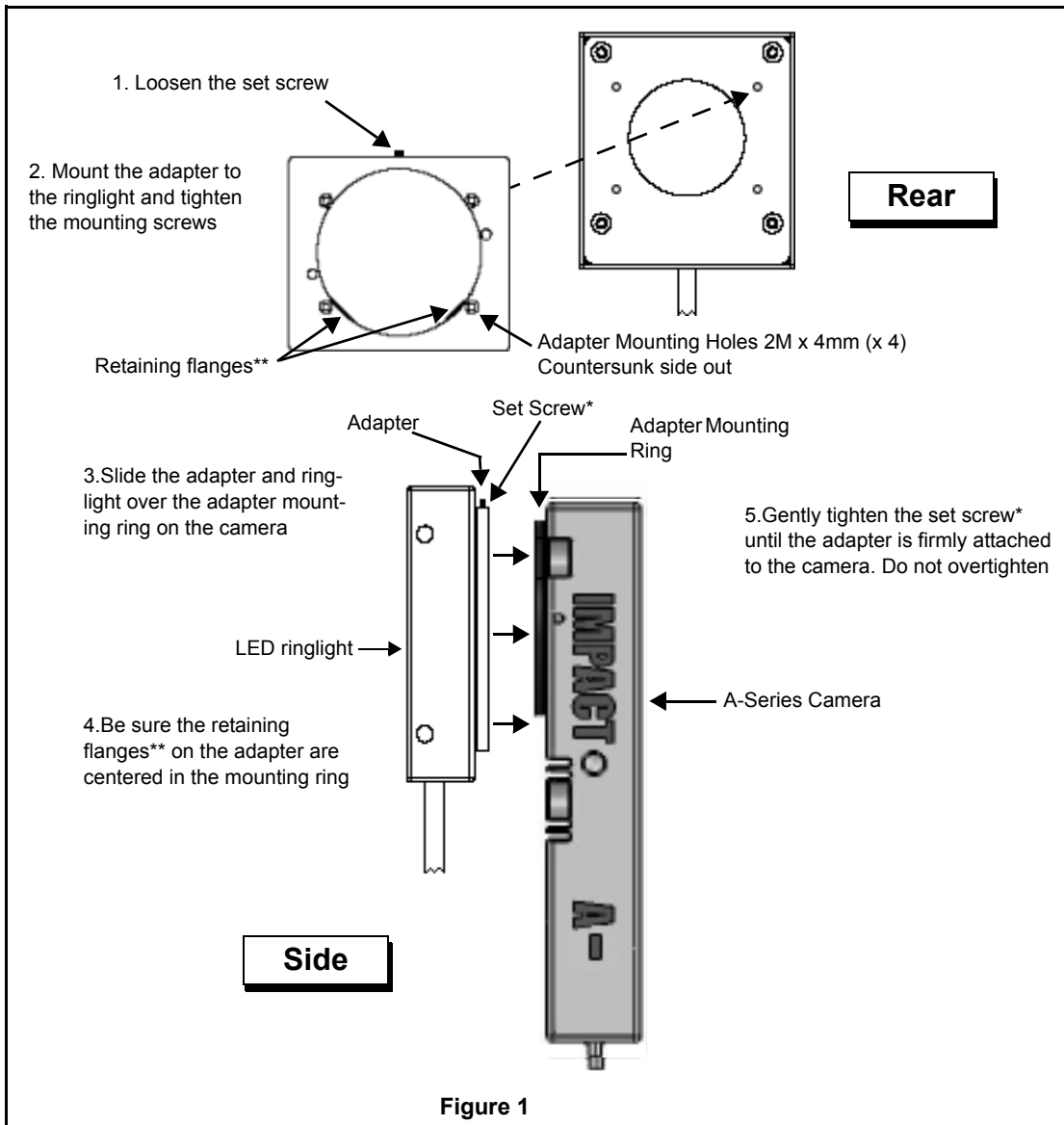
To mount the LED ringlight to the A-Series camera, use the optional ringlight adapter kit (PPT Part # 651-0131). The kit includes the following parts:

- One mounting adapter (PPT Part # 381-1293)
- Four M2 x 6mm screws for mounting the adapter to the ringlight (PPT Part # 354-2022)
- One Allen wrench to adjust the adapter set screw (PPT Part # 357-0229)



### To mount the adapter to the LED ringlight (see figure 1)

1. Using the Allen wrench, loosen the set screw on the edge of the adapter
2. Using the four screws, mount the adapter to the ringlight
3. Slide the adapter and ringlight over the adapter mounting ring on the camera
4. Be sure the retaining flanges on the adapter are centered in the mounting ring
5. Gently tighten the set screw until the adapter is firmly attached to the camera. Do not overtighten.



## IMPACT LED Ringlight Specifications

This table lists the power and trigger specifications for the ringlight.

Power Input Voltage	24 VDC
Power Input Current	0.7 Amps Strobe 0.3 Amps Static
Trigger Input Voltage	0-26 VDC
Trigger Turn-On Voltage	>3.3 VDC
Trigger Turn-Off Voltage	<1.5 VDC

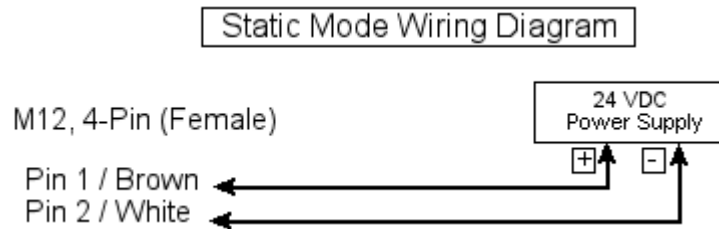
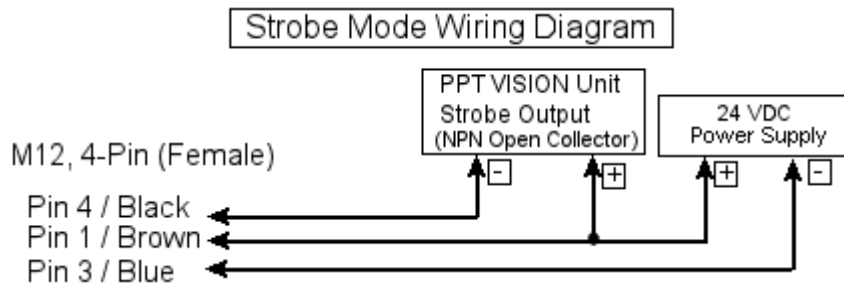
Trigger Input Pulse Width	25 - 500 microseconds
Maximum Trigger Rate	0 - 60 HZ, (3% duty cycle)

## IMPACT LED Ringlight Wiring

The ringlight cable connector pinout is shown in this table.

Pin	Signal	Wire Color
1	+24 VDC	Brown
2	Static 0 VDC	White
3	Strobe 0 VDC	Blue
4	Strobe Trigger +	Black

These diagrams show how to connect the LED ringlight for static or strobe mode.



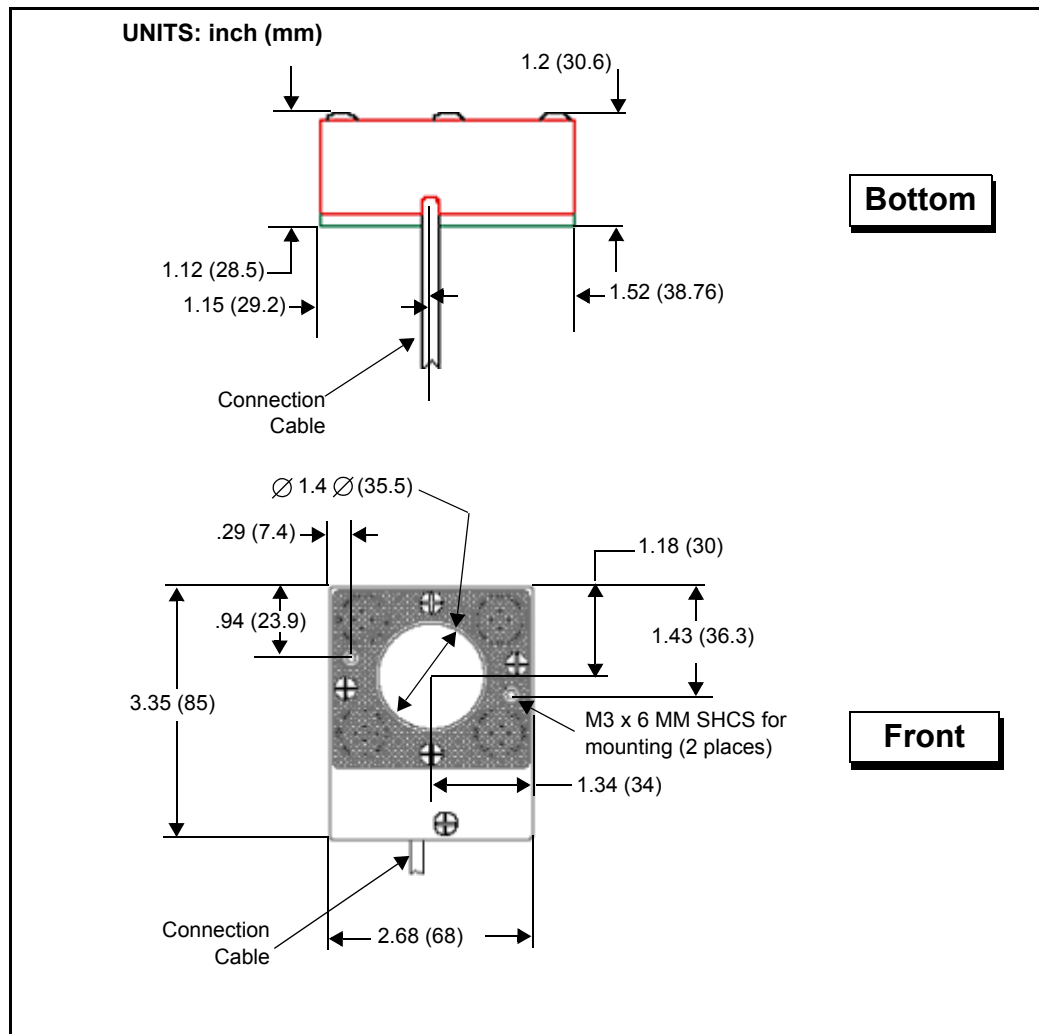
## RLD3 LED Ringlight

This section describes the RLD3 LED ringlight (PPT Part # 606-0613-xxx). The last three digits of the part number indicate the LED color according to the table below. The ringlight can be mounted remotely, or directly on the A-Series camera body using the optional LED ringlight adapter kit (PPT Part # 651-0131).

Part Number Ending	LED Color
395	395 nm UV
470	470 nm Blue
505	505 nm Cyan
530	530 nm Green
630	630 nm Red
850	850 nm IR
WHI	White

## RLD3 LED Ringlight dimensions

Here are the RLD3 LED ringlight mounting dimensions.

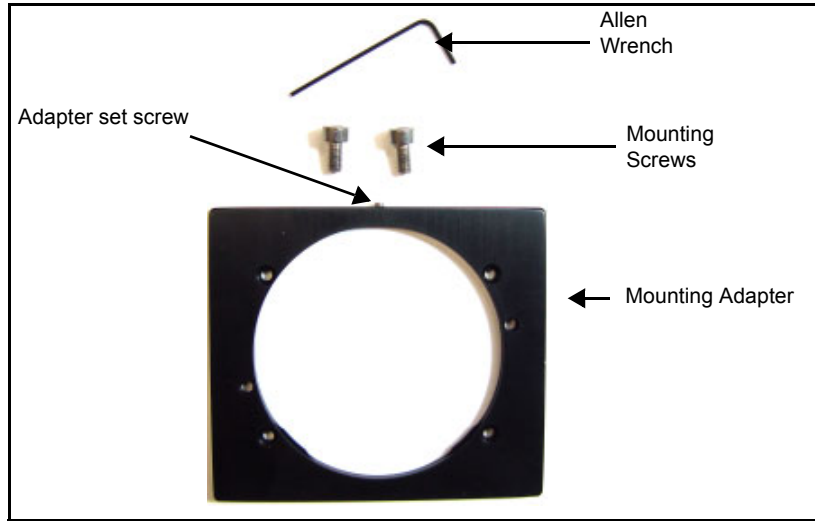


## RLD3 LED Ringlight Adapter

To mount the RLD3 LED ringlight to the A-Series camera, use the optional ringlight adapter kit (PPT Part # 651-0131). The kit includes the following parts:

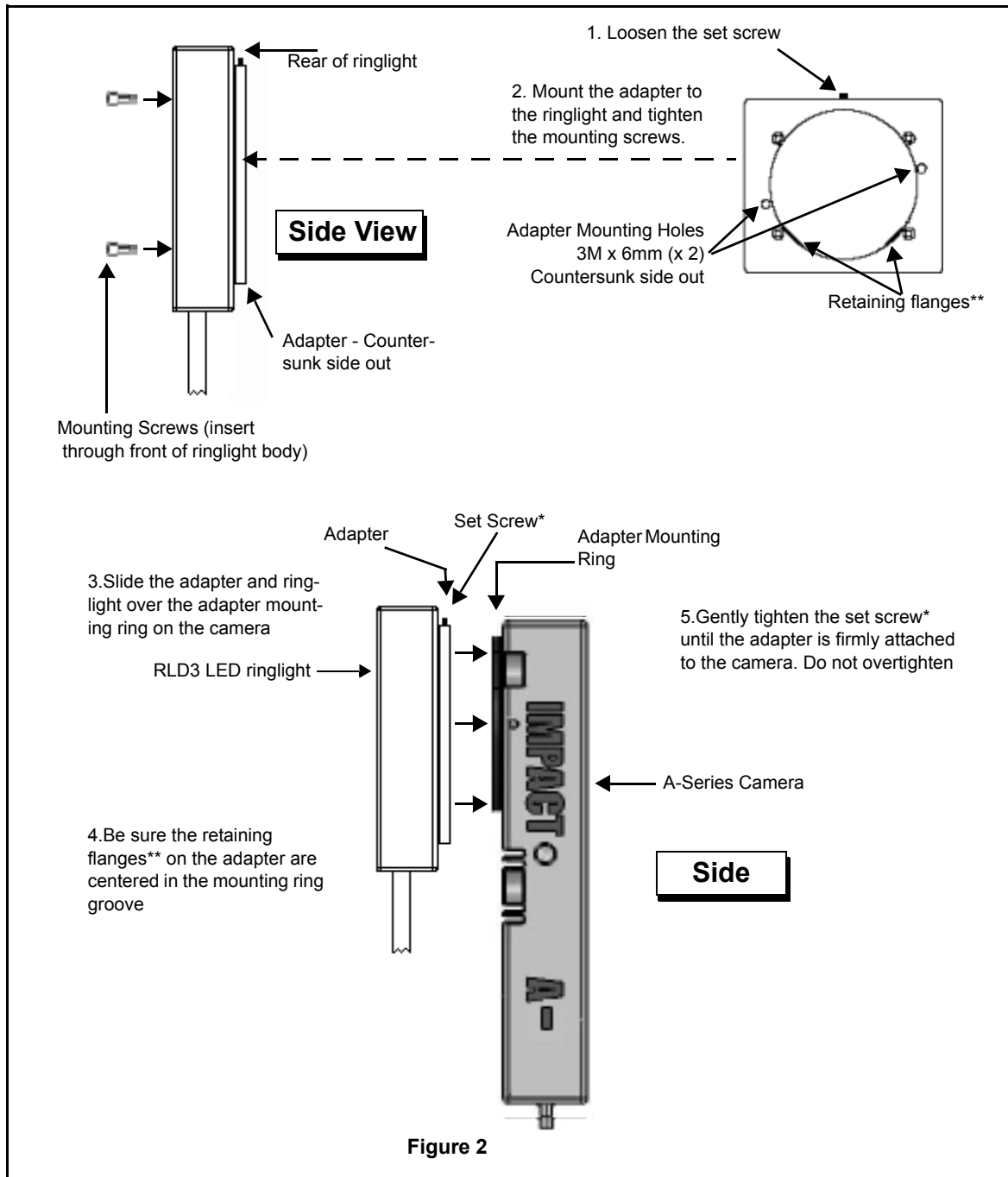
- One mounting adapter (PPT Part # 381-1293)
- Two M3 x 6mm socket head mounting screws for mounting the adapter to the ringlight (PPT Part # 354-3005)

- One Allen wrench to adjust the adapter set screw (PPT Part # 357-0229)



**To mount the adapter to the LED ringlight (see figure 2)**

1. Using the Allen wrench, loosen the set screw on the edge of the adapter
2. Using the two screws, mount the adapter to the ringlight
3. Slide the adapter and ringlight over the adapter mounting ring on the camera
4. Be sure the retaining flanges on the adapter are centered in the mounting ring
5. Gently tighten the set screw until the adapter is firmly attached to the camera. Do not overtighten.



## RLD3 LED Ringlight Specifications

This table lists the power and trigger specifications for the ringlight.

Power Input Voltage	24 VDC
Power Input Current	0.5 Amps Max

Trigger Input Voltage	0-26 VDC
Trigger Turn-On Voltage	>3.3 VDC
Trigger Turn-Off Voltage	<1.5 VDC
Trigger Input Pulse Width	25 - 500 microseconds
Maximum Trigger Rate	0 - 60 HZ, (3% duty cycle)

## RLD3 LED Wiring

The ringlight cable connector pinout is shown in this table.

Pin	Signal	Wire Color
1	+24 VDC	Brown
2	NPN Strobe	White
3	Ground	Blue
4	PNP Strobe	Black

These diagrams show how to connect the RLD3 LED ringlight for static or strobe mode.

