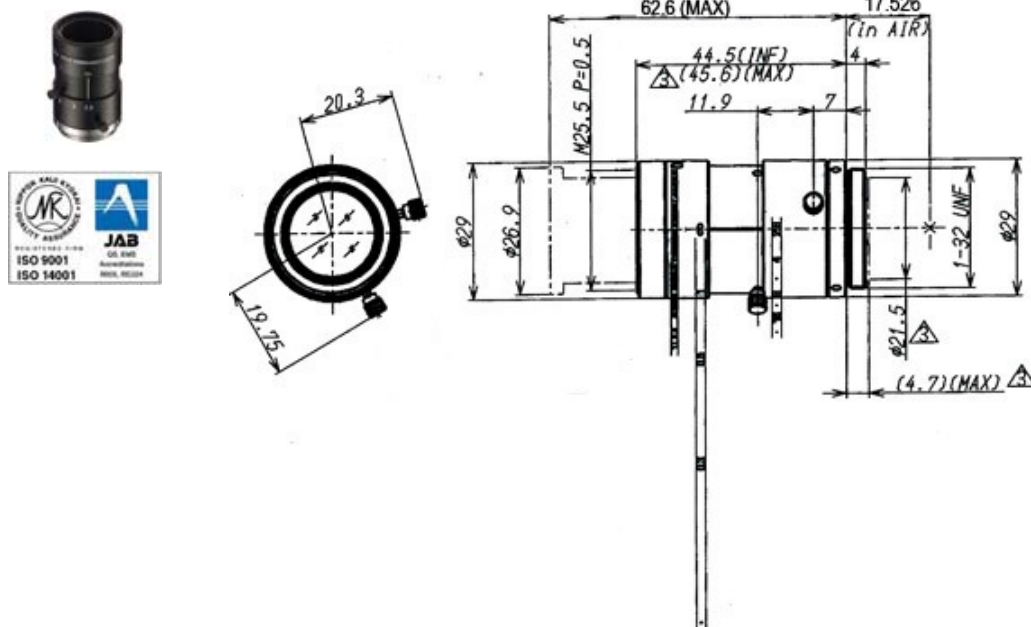




## 1/1.8 50MM F/2.8 with Lock for Mega Pixel Cameras




---

**SPECIFICATIONS**

Focal Length	50mm
Iris Range	F/2.8-22
Iris Operation	Manual w/Lock
Focus Operation	Manual w/Lock
Mount	C
1/1.8" Angle of View (horizontal/vertical)	8.3° x 6.2°
1/2" Angle of View (horizontal/vertical)	7.3° x 5.5°
TV Distortion	-0.1% or less
Filter Size	M25.5 P=0.5mm
Minimum Object Distance	0.2m
Weight	52g