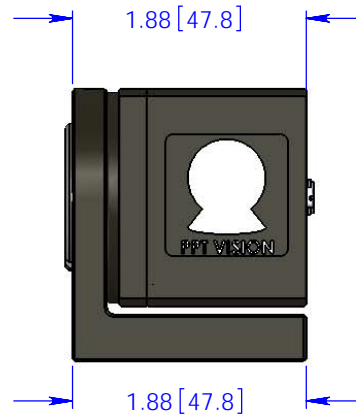
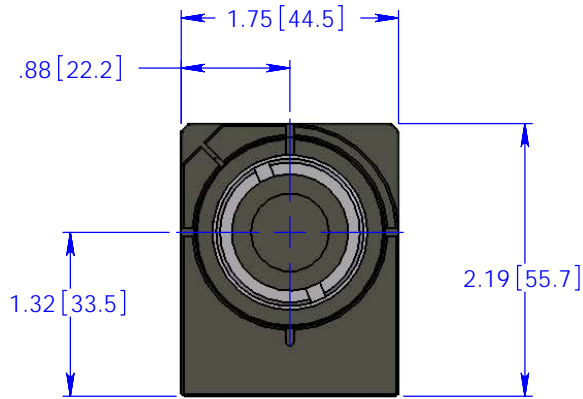
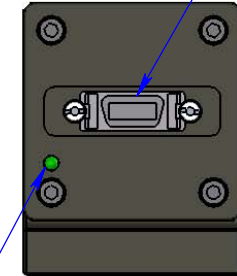


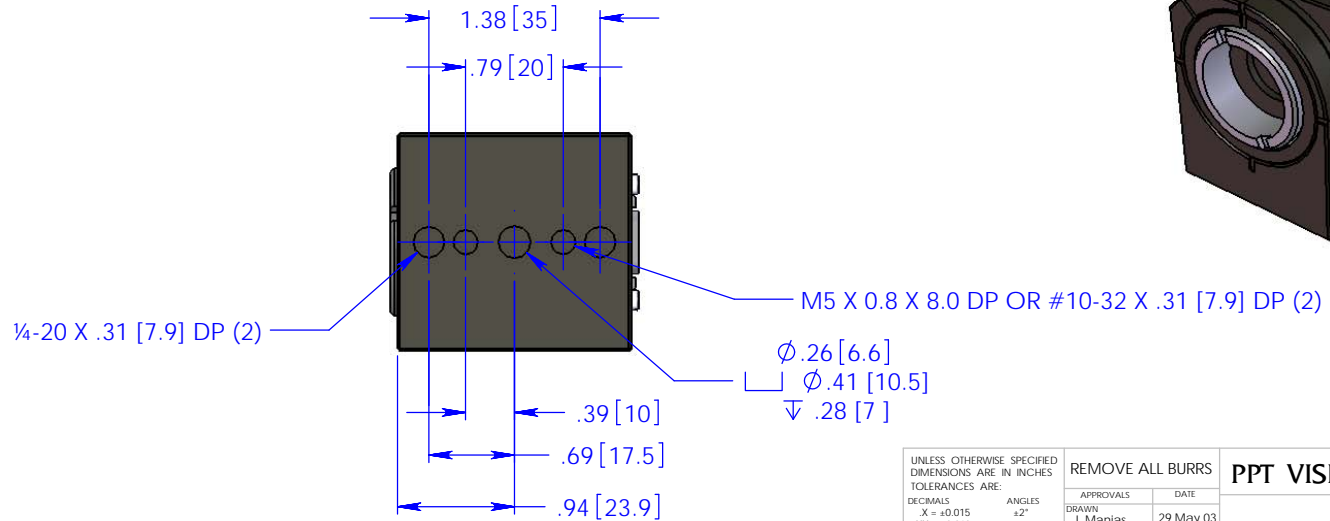
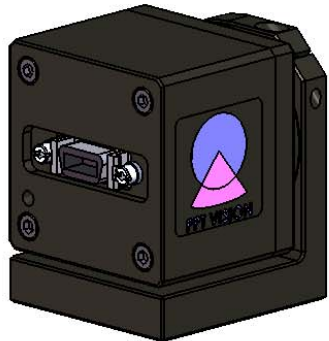
THE INFORMATION CONTAINED IN THIS DRAWING IS THE SOLE PROPERTY OF PPT VISION. ANY REPRODUCTION IN PART OR WHOLE WITHOUT THE WRITTEN PERMISSION OF PPT VISION IS PROHIBITED.



CAMERA CABLE CONNECTOR



LED INDICATOR



NOTES:

1. Dimensions are inch [mm].
2. Specification applies to part numbers 661-0337, 661-0338, 661-0339, 661-0348, 661-0349 and 661-0364.

UNLESS OTHERWISE SPECIFIED DIMENSIONS ARE IN INCHES TOLERANCES ARE:		REMOVE ALL BURRS		PPT VISION	
DECIMALS	ANGLES	APPROVALS	DATE	12988 Valley View Road Eden Prairie, MN 55344	
.X = ±0.015	.XZ°	DRAWN	29 May 03	Camera, Small Form Factor	
.XX = ±0.010		J. Manias			
.XXX = ±0.005		CHECKED		See notes	
MATERIAL		RESP ENG			
FINISH		RPO		SIZE	DWG. NO.
		MFG ENG		B	
DO NOT SCALE DRAWING	QUAL ENG			SCALE: 1:1	CAD FILE: 661-0337.SLDASM
					SHEET 1 OF 1