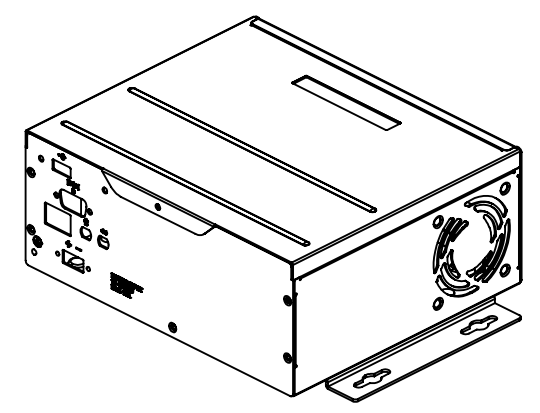
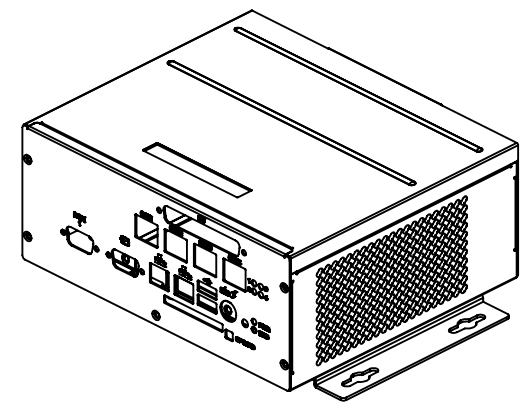
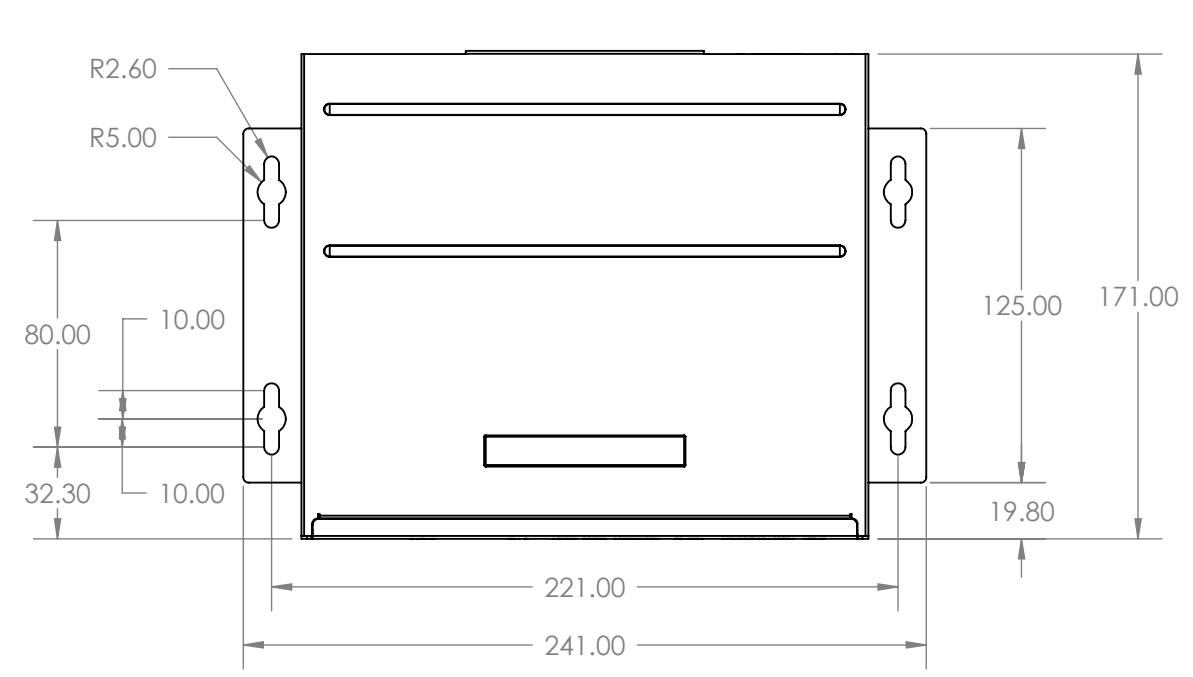


8 7 6 5 4 3 2 1

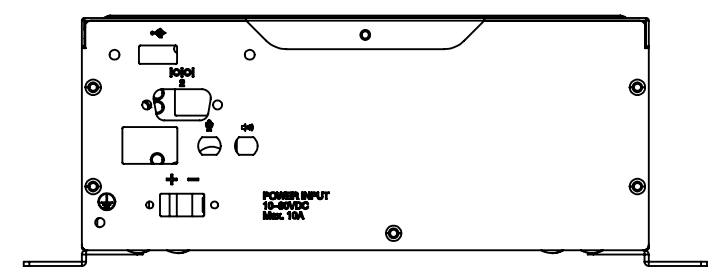
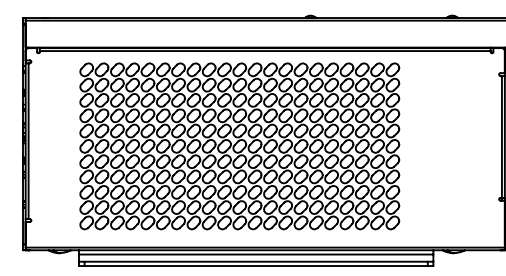
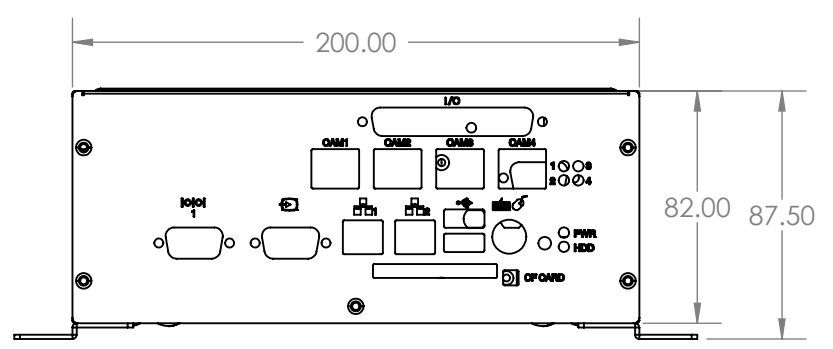
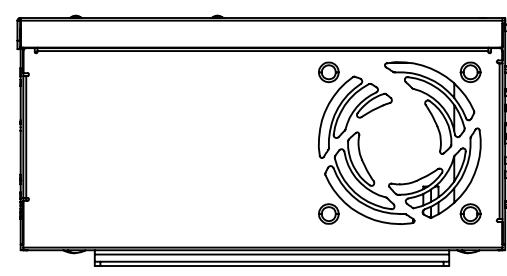
D

D



C

C

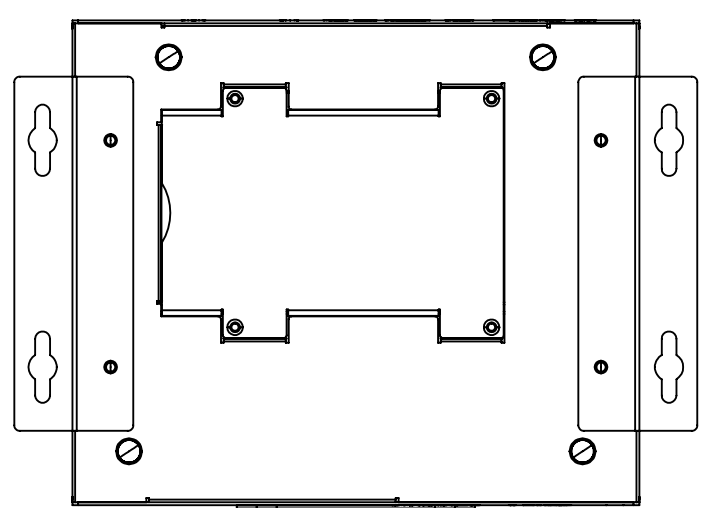


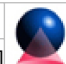
B

B

A

A



UNLESS OTHERWISE SPECIFIED:		NAME	DATE	 PPT VISION <small>6301 Old Shakopee Road Suite A Bloomington, MN 55438, USA Telephone: 952-996-9500 Fax: 952-996-9501</small>
TOLERANCES:		DRAWN	REF	
DECIMALS	ANGLES	CHECKED	-	TITLE:
.X = +/- 0.1	+/- .25deg	ENG APPR.	-	IMPACT M40
.XX = +/- 0.05		MFG APPR.		
UNITS: MM		Q.A.		
MATERIAL		COMMENTS:		
FINISH				
DO NOT SCALE DRAWING				
		SIZE	DWG. NO.	REV
		B	IMPACT M40	01
		SCALE: 3:8	WEIGHT:	SHEET 1 OF 1

8 7 6 5 4 3 2 1