

8 7 6 5 4 3 2 1

D

C

B

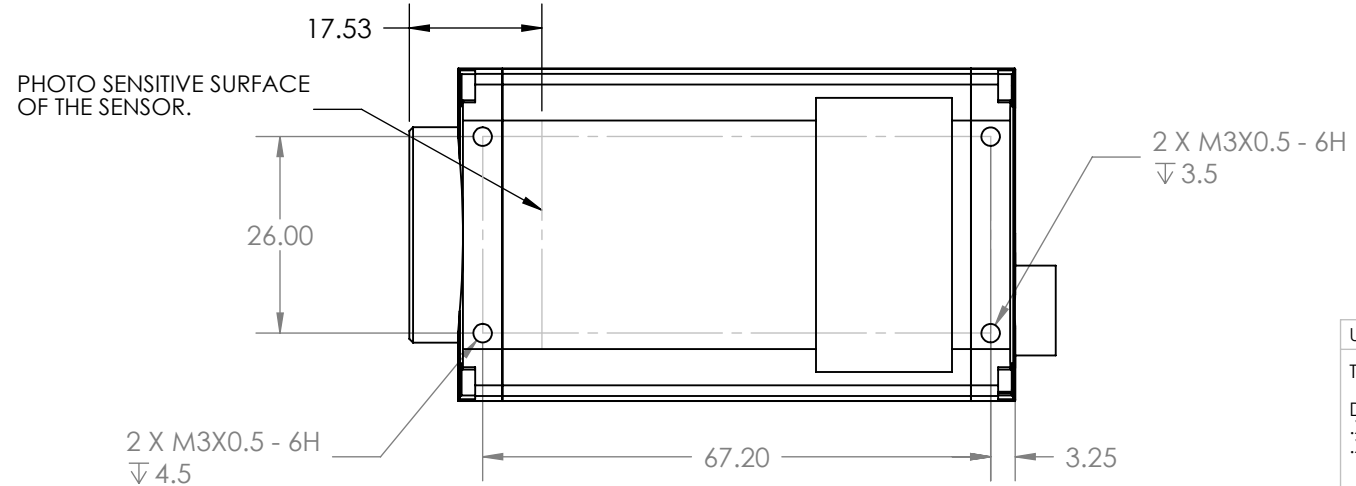
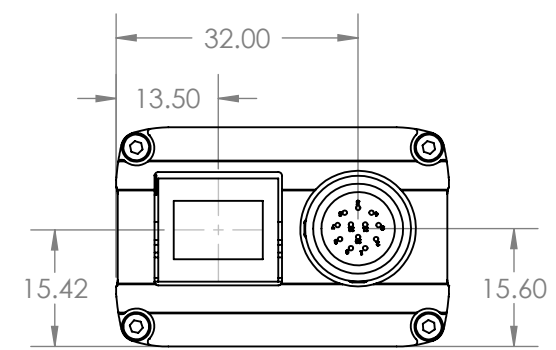
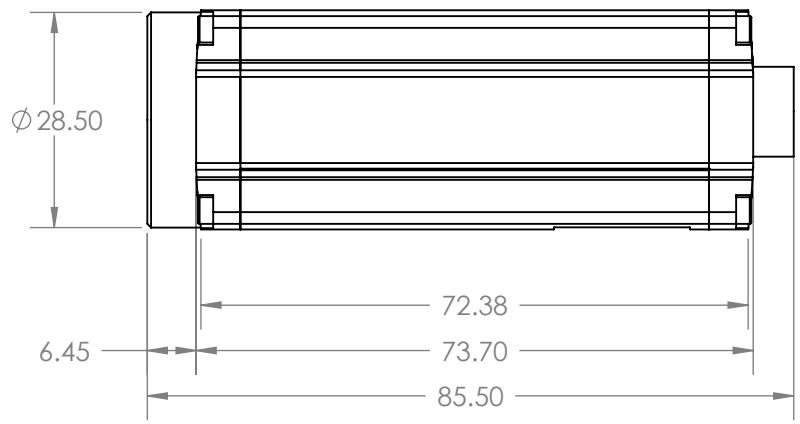
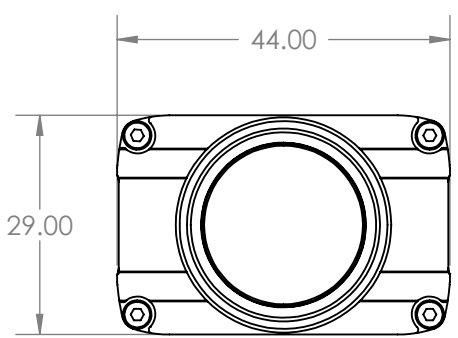
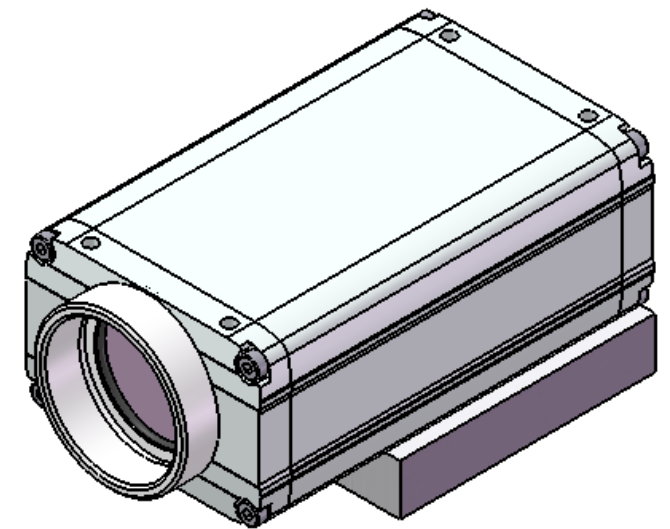
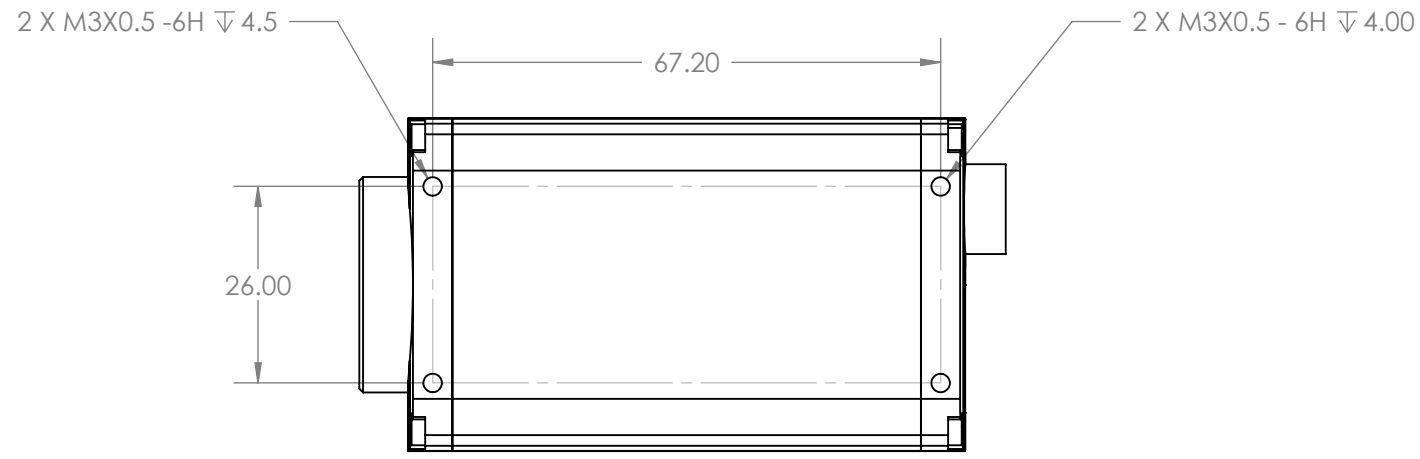
A


D

C

B

A



UNLESS OTHERWISE SPECIFIED:		NAME	DATE	 PPT VISION <small>6301 Old Shakopee Road Suite A Bloomington, MN 55438, USA Telephone: 952-996-9500 Fax: 952-996-9501</small>
TOLERANCES:		DRAWN	REF	
DECIMALS	ANGLES	CHECKED	-	-
.X = +/- 0.1	+/- .25deg	ENG APPR.	-	-
.XX = +/- 0.05		MFG APPR.		
UNITS: MM		Q.A.		
MATERIAL		COMMENTS:		
FINISH				
DO NOT SCALE DRAWING				
TITLE:		PPT M2XX SERIES		
SIZE	DWG. NO.	REV		
B	PPT M2XX SERIES	01		
SCALE: 1:1	WEIGHT:	SHEET 1 OF 1		

8 7 6 5 4 3 2 1