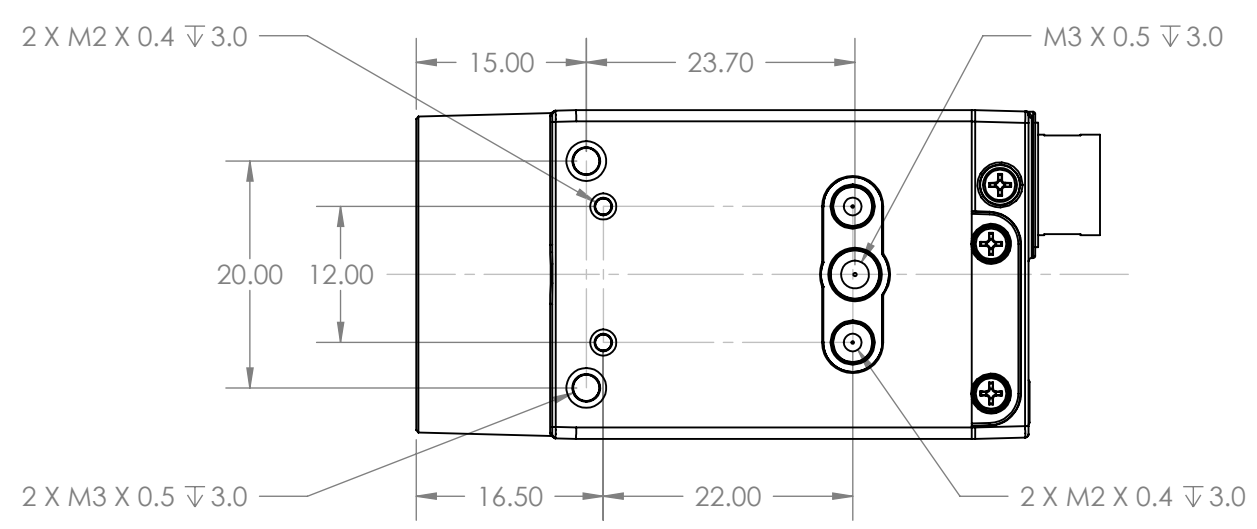
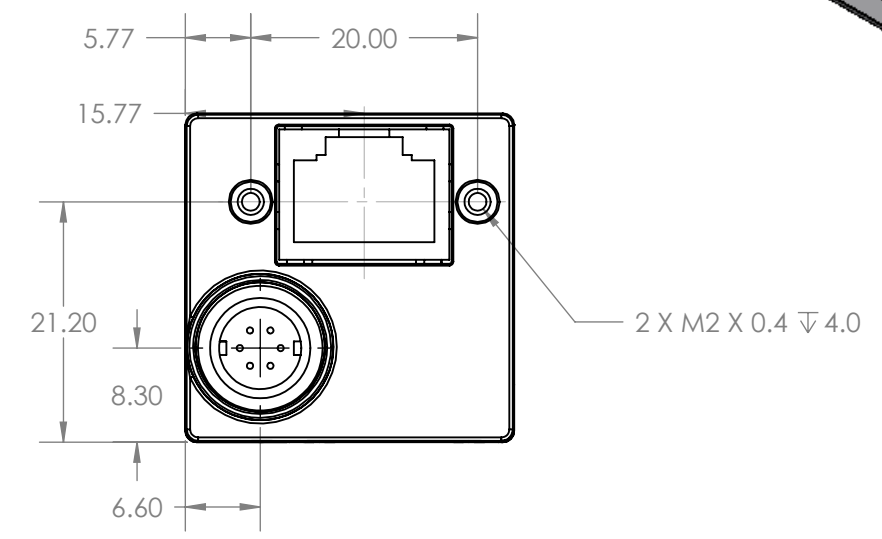
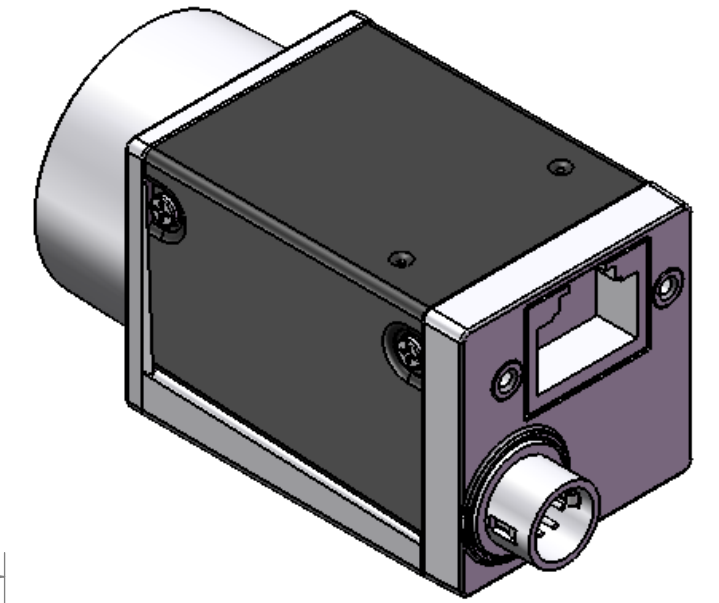
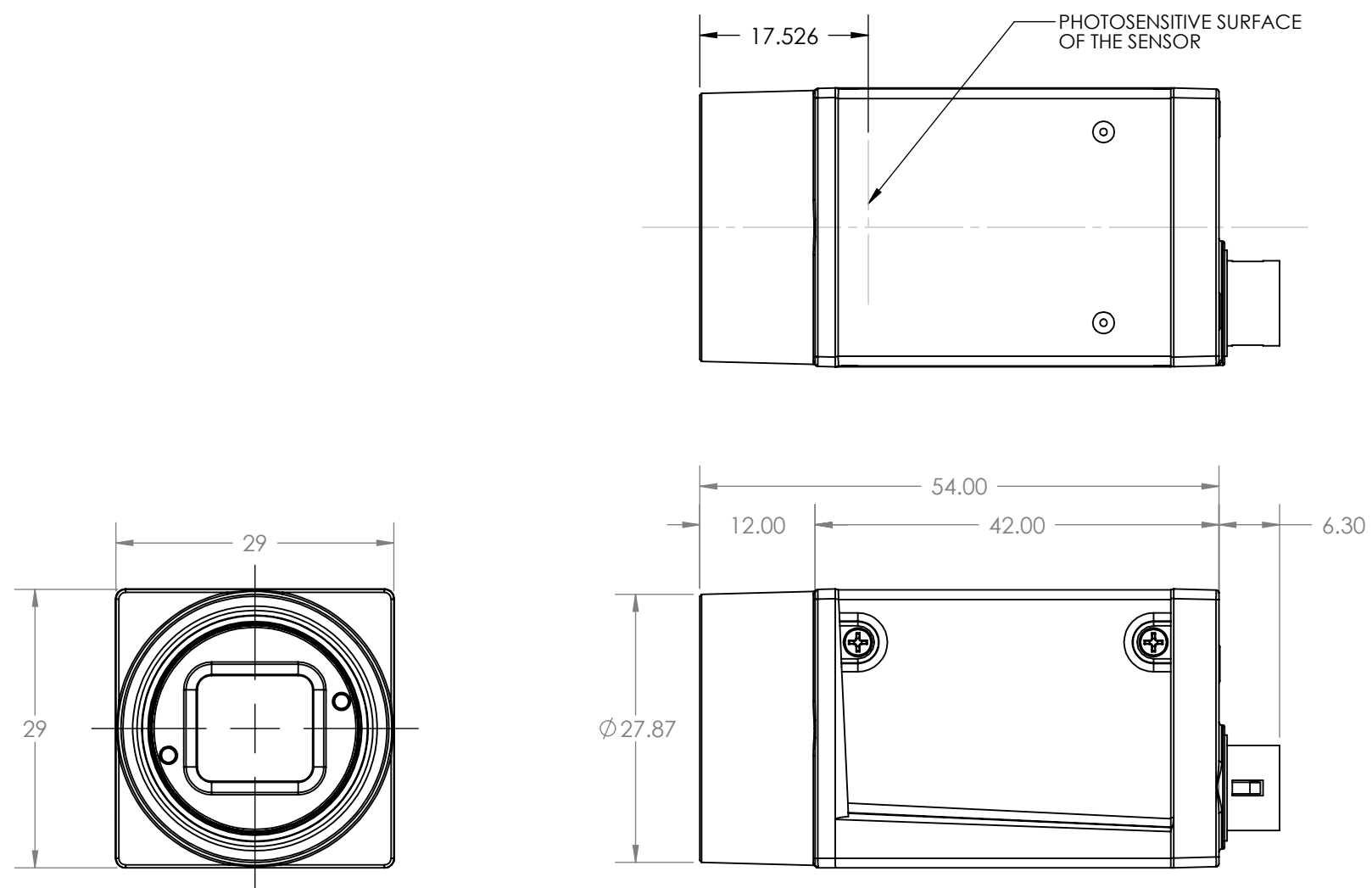
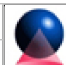


8 7 6 5 4 3 2 1

D  
C  
B  
A

D  
C  
B  
A



UNLESS OTHERWISE SPECIFIED:		NAME	DATE	 <b>PPT VISION</b> <small>6301 Old Shakopee Road Suite A          Bloomington, MN 55438, USA          Telephone: 952-996-9500   Fax: 952-996-9501</small>
TOLERANCES:		DRAWN	REF	
DECIMALS	ANGLES	CHECKED	-	TITLE:
.X = +/- 2.54	+/- 6.35deg	ENG APPR.	-	PPT M1XX SERIES
.XX = +/- 1.27		MFG APPR.		
UNITS: MM		Q.A.		
MATERIAL		COMMENTS:		
FINISH				
DO NOT SCALE DRAWING				SIZE DWG. NO. REV
				B PPT M1XX SERIES 01
				SCALE: 3:2 WEIGHT: SHEET 1 OF 1

8 7 6 5 4 3 2 1