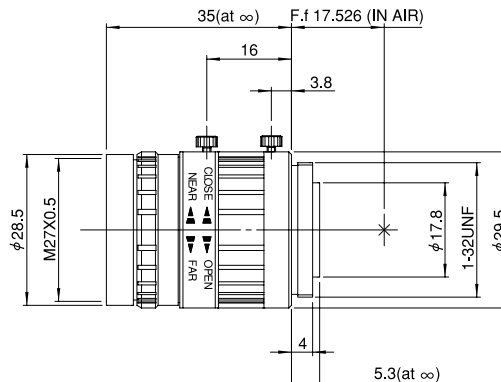


HF9HA-1



※A photograph is a similar model.



Unit : mm

Model		HF9HA-1
Focal Length		9mm
Iris Range		F1.4 ~ Close
Operation	Iris	Manual (Op.Angle 63°)
	Focus	Manual (Op.Angle 29°12') (*1)
ANGLE OF VIEW (H × V)	2/3"	52°06' × 40°16'
	1/2"	39°09' × 29°52'
	1/3"	29°52' × 22°37'
	1/4"	22°37' × 17°04'
Focusing Range (From Front Of Lens)		∞ ~ 0.1m
Object Dimensions at M.O.D. (H × V)	2/3"	108mm × 81mm
	1/2"	79mm × 59mm
	1/3"	59mm × 44mm
	1/4"	44mm × 33mm
Back Focal Distance (in air)		13.48mm
Filter Thread		M27 × 0.5mm
Mount		C Mount
Mass		55g
Exit Pupil Position(from Image Plane)		-27.9mm

(*1) Corresponds to Focus Range

- With Metal Mount
- With Locking Knob for Iris and Focus