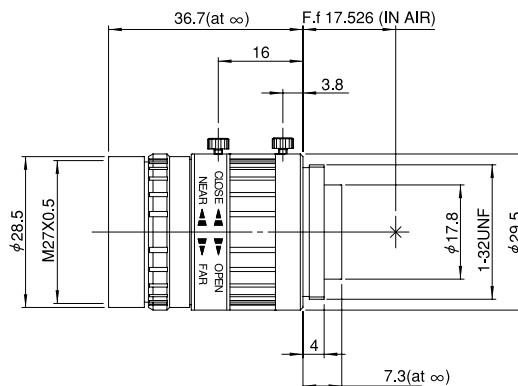


DF6HA-1



※A photograph is a similar model.



Unit : mm

| Model | | DF6HA-1 |
|----------------------------------------|-------|-------------------------------|
| Focal Length | | 6mm |
| Iris Range | | F1.2 ~ Close |
| Operation | Iris | Manual (Op.Angle 63°) |
| | Focus | Manual (Op.Angle 12°30') (*1) |
| ANGLE OF VIEW (H × V) | 1/2" | 56°09' × 43°36' |
| | 1/3" | 43°36' × 33°24' |
| | 1/4" | 33°24' × 25°22' |
| Focusing Range (From Front Of Lens) | | ∞ ~ 0.1m |
| Object Dimensions at M.O.D. (H × V) | 1/2" | 122mm × 92mm |
| | 1/3" | 92mm × 69mm |
| | 1/4" | 69mm × 52mm |
| Back Focal Distance (in air) | | 11.44mm |
| Filter Thread | | M27 × 0.5mm |
| Mount | | C Mount |
| Mass | | 55g |
| Exit Pupil Position (from Image Plane) | | -46mm |

(*1) Corresponds to Focus Range

- With Metal Mount
- With Locking Knob for Iris and Focus