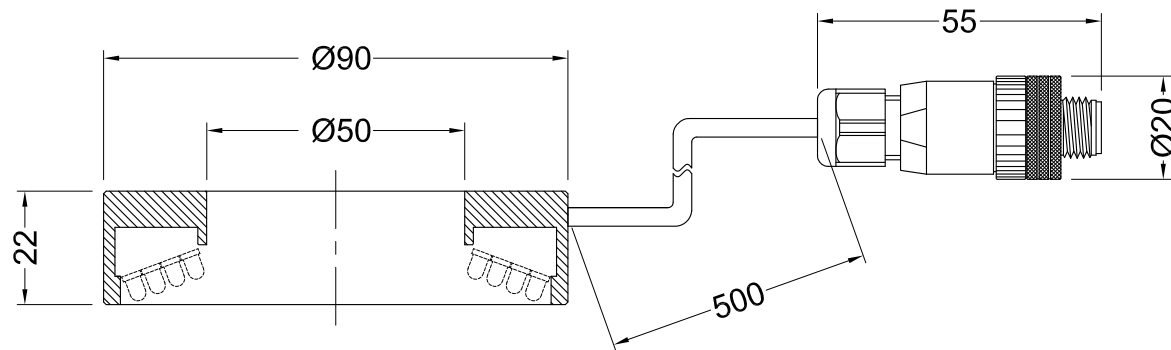
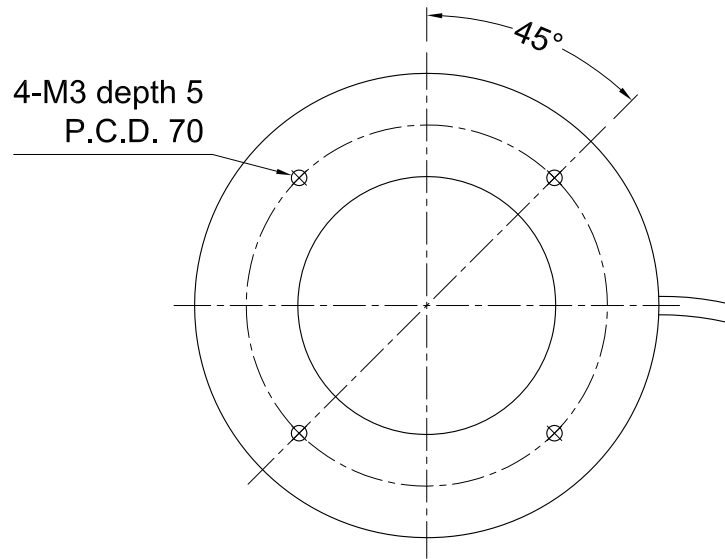


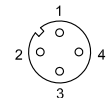
QRL-090050-47/-52/-66/-SW

Model	QRL-090050-66	QRL-090050-47/-52/-SW
Voltage	24V DC	24V DC
Power Consumption	9.5 W	17.3 W
Mass	145 g	145 g

Third Angle Projection All dimensions in mm



M12 Connector



- Pin 1 - +24V
- Pin 2 - Nil
- Pin 3 - 0V
- Pin 4 - Nil

Cable thickness 3.6