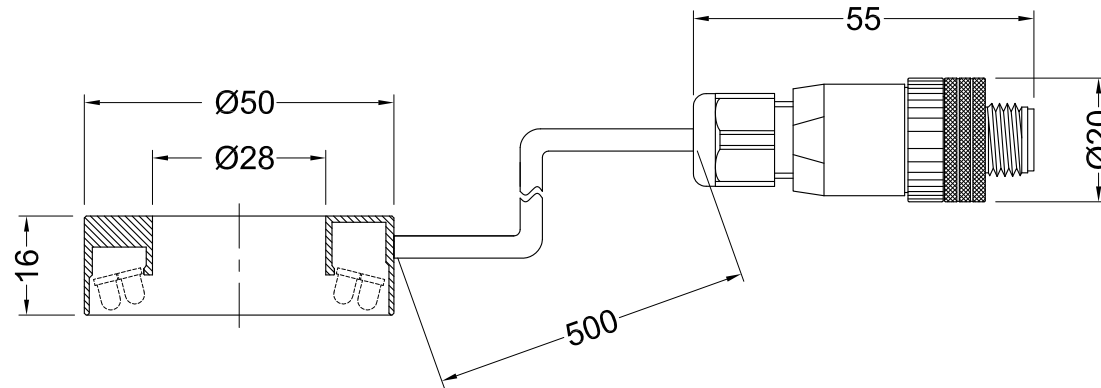
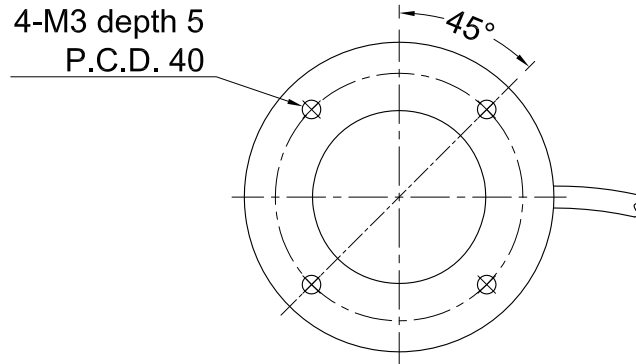


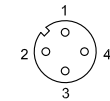
QRL-050028-47/-52/-66/-SW

Model	QRL-050028-66	QRL-050028-47/-52/-SW
Voltage	24V DC	24V DC
Power Consumption	3.0 W	4.8 W
Mass	60 g	60 g

Third Angle Projection All dimensions in mm



M12 Connector



Pin 1 - +24V
Pin 2 - Nil
Pin 3 - 0V
Pin 4 - Nil

Cable thickness 3.6