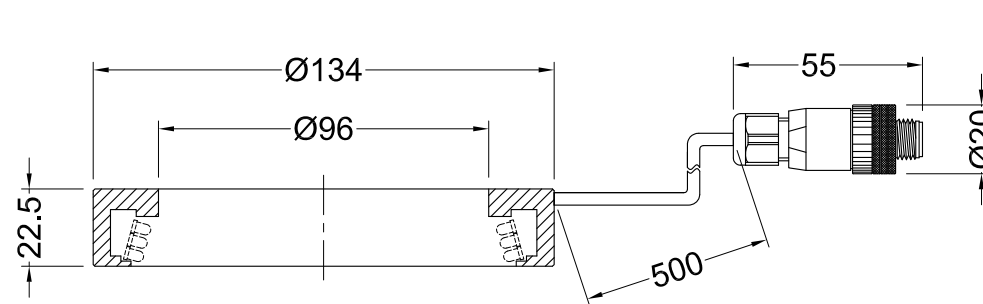
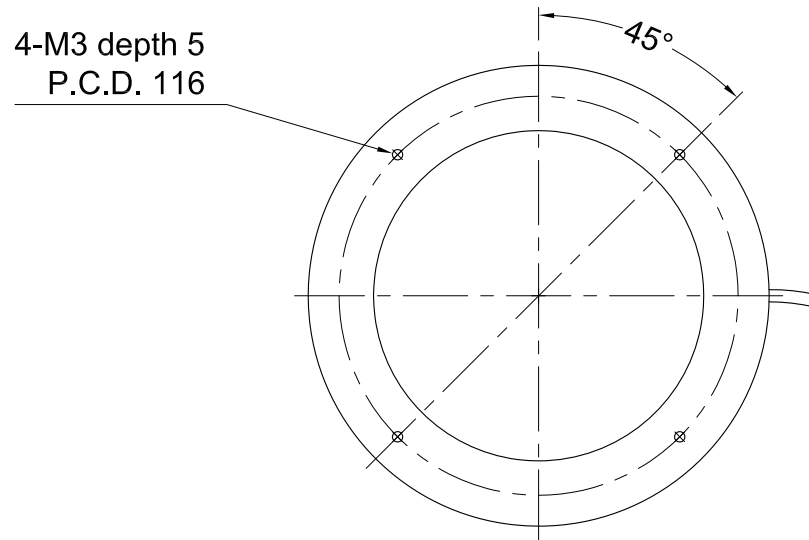


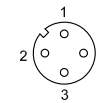
QLA-134096-47/-52/-66/-SW

Model	QLA-134096-47/-52/-SW	QLA-134096-66
Voltage	24V DC	24V DC
Power Consumption	20.2 W	12.6 W
Mass	255 g	255 g

Third Angle Projection All dimensions in mm



M12 Connector



- Pin 1 - +24V
- Pin 2 - Nil
- Pin 3 - 0V
- Pin 4 - Nil

Cable thickness 3.6