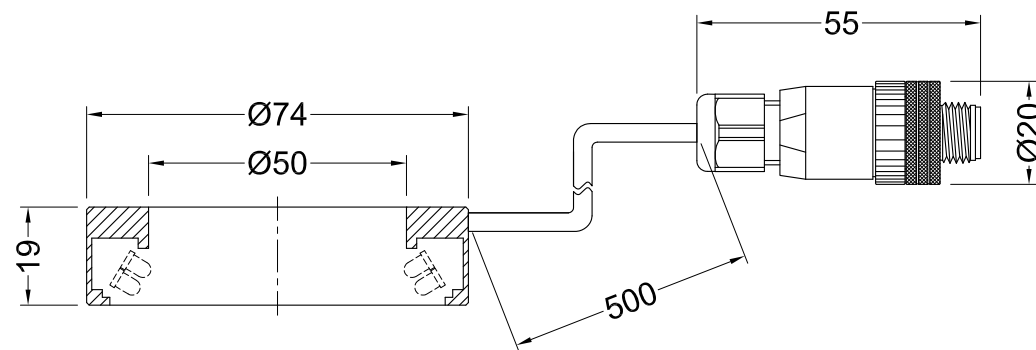
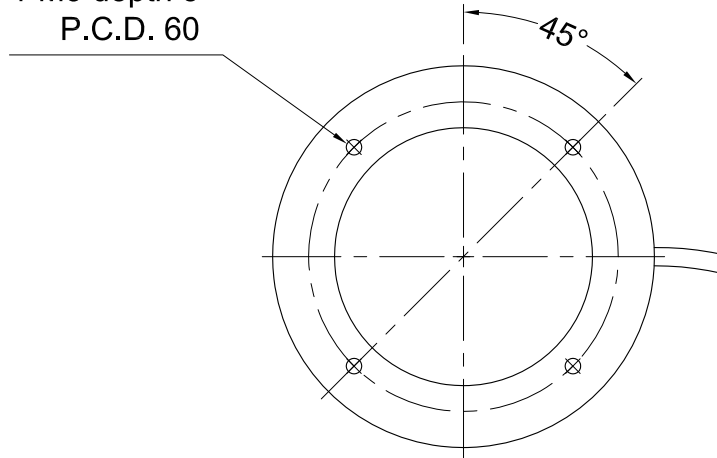


QLA-074050-47/-52/-66/-SW

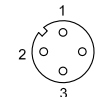
Model	QLA-074050-47/-52/-SW	QLA-074050-66
Voltage	24V DC	24V DC
Power Consumption	7.2 W	5.4 W
Mass	70 g	70 g

Third Angle Projection All dimensions in mm

4-M3 depth 5
P.C.D. 60



M12 Connector



Pin 1 - +24V
Pin 2 - Nil
Pin 3 - 0V
Pin 4 - Nil

Cable thickness 3.6