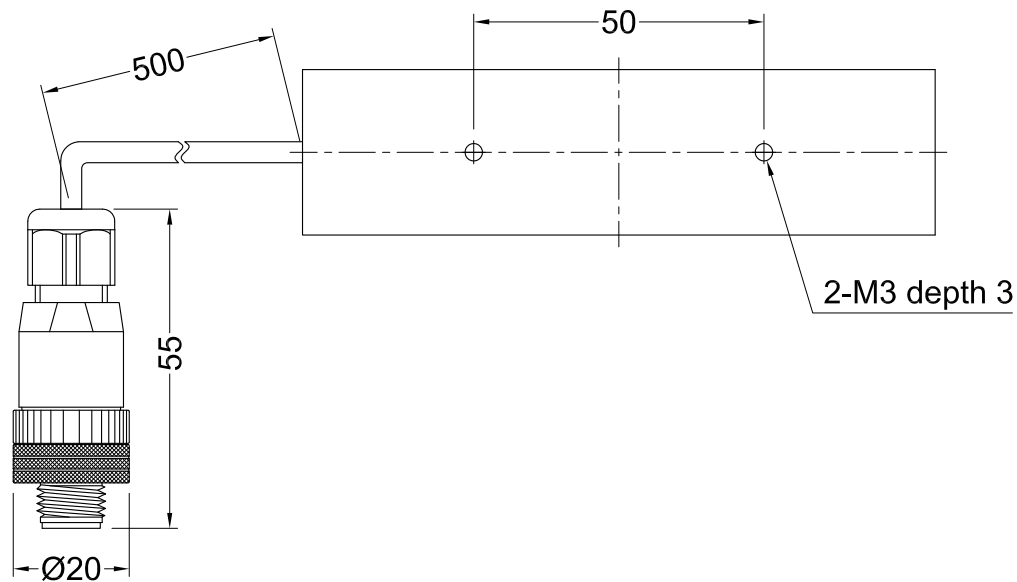
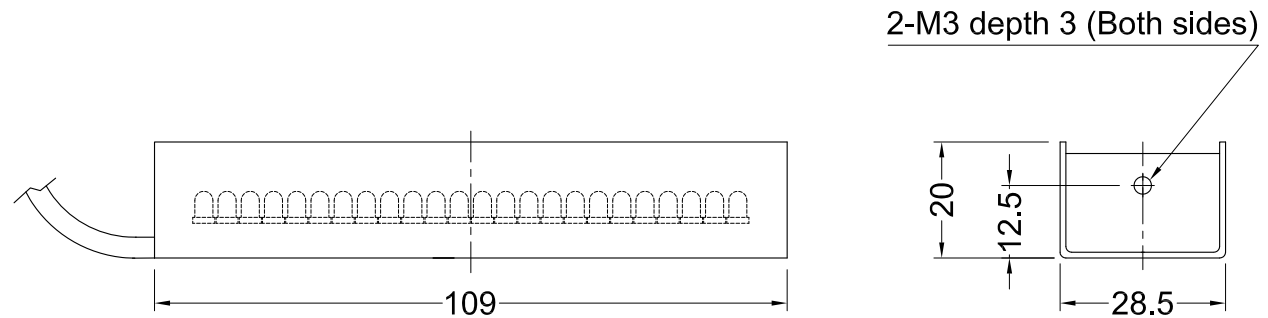


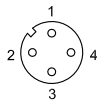
QBR-109028-47/-52/-66/-IR95/-SW

Model	QBR-109028-47/-52/-SW	QBR-109028-66	QBR-109028-IR95
Voltage	24V DC	24V DC	24V DC
Power Consumption	8.7 W	7.2 W	9.6 W
Mass	115 g	115 g	115 g

Third Angle Projection All dimensions in mm



M12 Connector



Pin 1 - +24V
 Pin 2 - Nil
 Pin 3 - 0V
 Pin 4 - Nil

Cable thickness 3.6