

SL073 Spot Light

- Aii** High current LED for maximum brightness
- Aii** 23mm diameter barrel with M3 mounting holes



Ordering Information

Standard Product:
Shipped Next Day

SL073

P/N: SL073-WHI24-001
Configured for use with user
supplied 24v power source

Standard Product Variation:
Shipped Within Two Weeks

	Spectral wavelength	Optional power Compatibility	Product identifier*
SL073 -	XXX	XX	XXX
	(blue) 470	IC	*Assigned by Ai
	(green) 530	24 [†]	
	(red) 660	C2	
	(white) WHI	C3	

Effective Working Range:
75-600mm (3"-24")

[†] Wired to be compatible
with 12v and 24v input

Common Variations*

Standard Product Variations:
Shipped Within Two Weeks

SL073-62524-003 (Red)

SL073-53024-005 (Green)

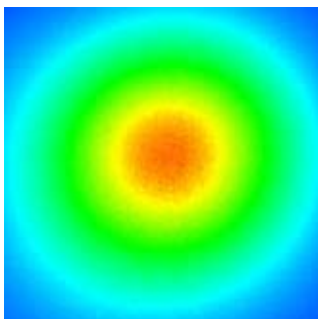
SL073-47024-007 (Blue)

*Call Ai for Other Variations

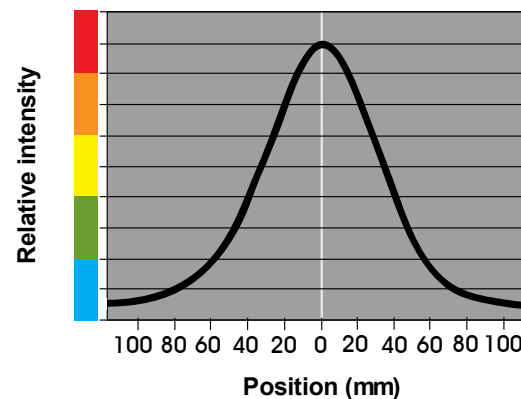
Light Uniformity Information

(Standard Product: SL073-WHI24-001 @ 300mm)

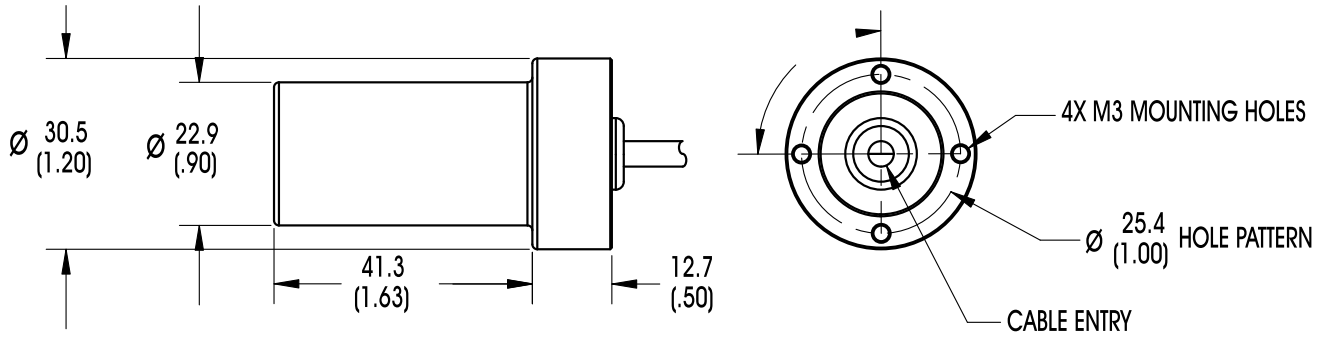
Intensity Distribution



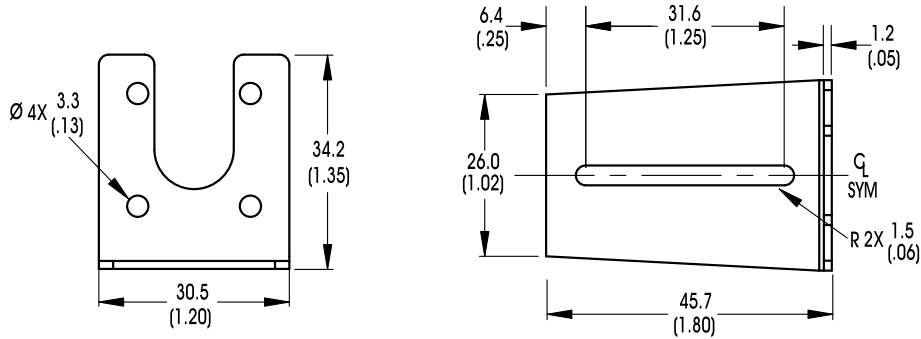
Intensity Cross Section



Dimensional Information



Mounting Bracket (Included)



DIMENSIONS ARE IN MILLIMETERS (INCHES)

Standard Variation Current Specifications

	blue	green	yellow	orange	red	infra-red	white	
@24	350	350	N/A	N/A	350	N/A	350	mA
Ai*	300	300	N/A	N/A	300	N/A	300	mA

*per channel, 1 channel

General Specifications

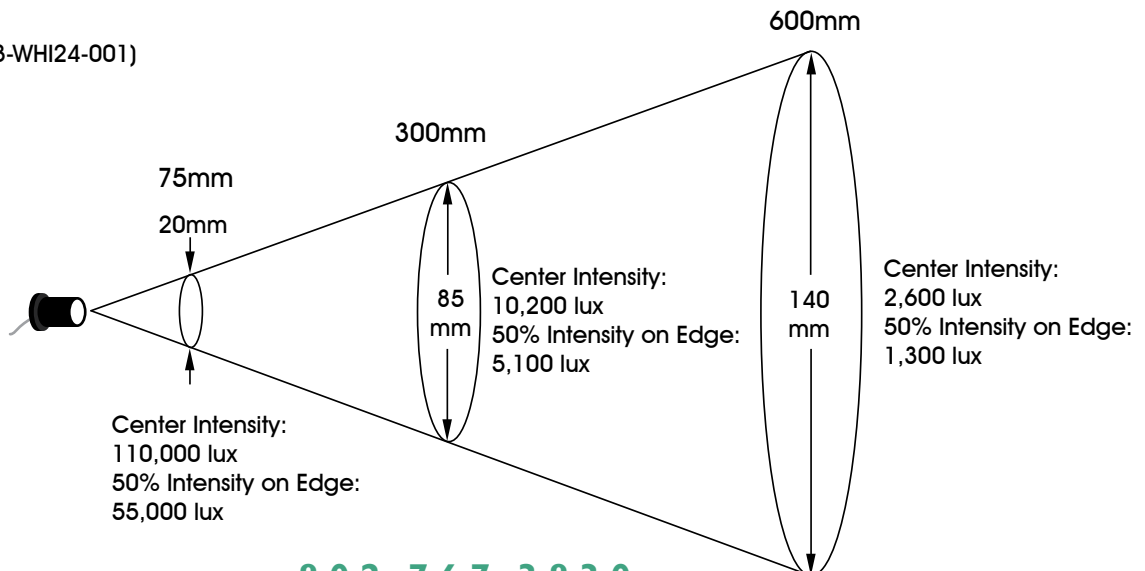
Weight:	96g (3.4oz)
Finish:	Black Anodized
Operating Temperature:	0-60°C
Meets Specifications:	CE, RoHS

Standard Product Information

Red	Max. Illumination	Irradiance (mW/cm ²)	Illuminance (Lux)
	Working Distance: 300mm	1.9	N/A
	Working Distance: 600mm	.5	N/A
	Lifetime	50,000 hrs	
White	Max. Illumination	Irradiance (mW/cm ²)	Illuminance (Lux)
	Working Distance: 300mm	2.4	10,200
	Working Distance: 600mm	.63	2,600
	Lifetime	50,000 hrs	

Additional Information

(Standard Product: SL073-WHI24-001)



802.767.3830