

RL4260

Bright Field Ring Light



- 4i** Ai's work-horse ring light provides significant illumination in a medium sized housing.
- 4i** Axial light source designed for non-specular objects.

Ordering Information

Standard Product:
Shipped Next Day

RL4260-660100L

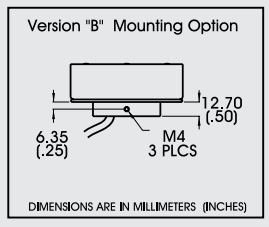
Configured for use with Ai Power Supply

RL4260-660100L24

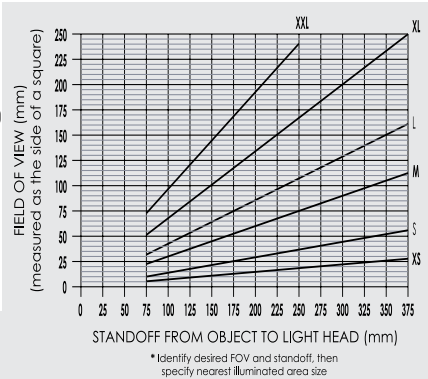
Configured for use with user supplied 24vDC Power Supply

Standard Product Variation:
Shipped Within Two Weeks

Mounting option	Spectral wavelength	Stand off	Field of view	Optional power Compatibility	Optional Light Conditioning
RL4260 X	-	XXX	XXX	XX	X
B	(UV) 395* (blue) 470† (green) 520† (yellow) 590 (orange) 625 (red) 660 (infra-red) 880 (white) WHI† (all color) RGB†	See chart to compute standoff.	XXL XL L M S XS	IC 12 24	D (Diffuser) P (Polarizer)

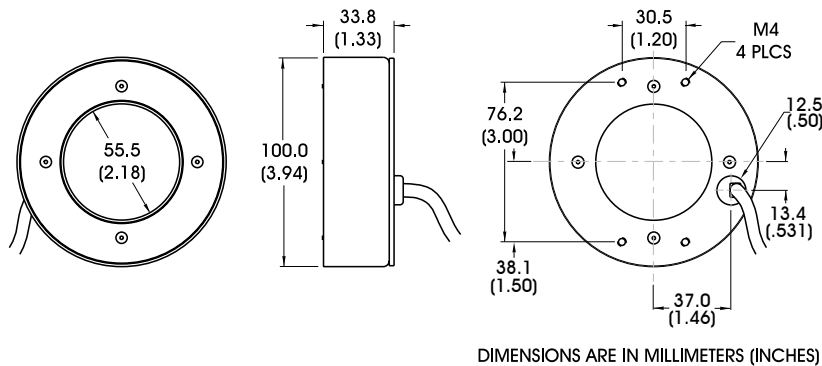


*UV LEDs have a considerably shorter half-life than other LEDs (<1000hrs). For this reason Ai recommends these LEDs be used in strobe mode only.



†Not available in 12v

Dimensional Information



Standard Variation Current Specifications

	blue	green	yellow	orange	red	infra-red	white	RGB	
@12	N/A	N/A	240	240	360	420	N/A	N/A	mA
@24	240	240	120	120	180	240	240	250	mA

Standard Product Information

Product Lifetime:	50,000 hours
Operating Temperature:	0-60° C