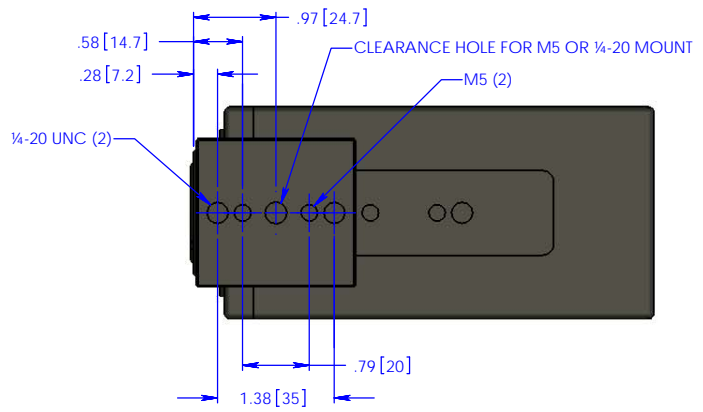
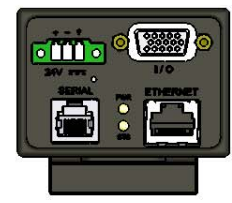
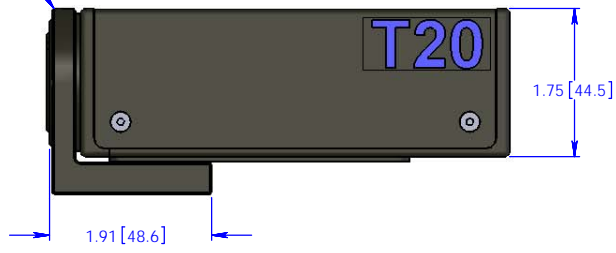
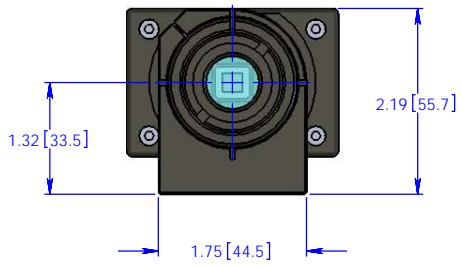


381-1114 MOUNTING CLAMP



NOTES:

1. Dimensions are inch [mm].
2. Part number suffix designates camera configuration, e.g. T10, T20, etc. (T10 is shown).

UNLESS OTHERWISE SPECIFIED DIMENSIONS ARE IN INCHES TOLERANCES ARE:		REMOVE ALL BURRS		PPT VISION	
DECIMALS	ANGLES	APPROVALS	DATE	1798 Valley View Road Eden Prairie, MN 55344	
.X = ±0.015	1/2°	DRAWN	23 Apr 04	Camera Assembly, Impact T Series	
.XX = ±0.010		CHECKED		C. 661-0342-T(XX)	
.XXX = ±0.005		REP. ENG.		REV	
		RPO		SCALE: 1:1	
		DESIGN		CADD FILE: 61-0342-IMP.MXD DRAWN: SHEET 1 OF 1	
DO NOT SCALE DRAWING					