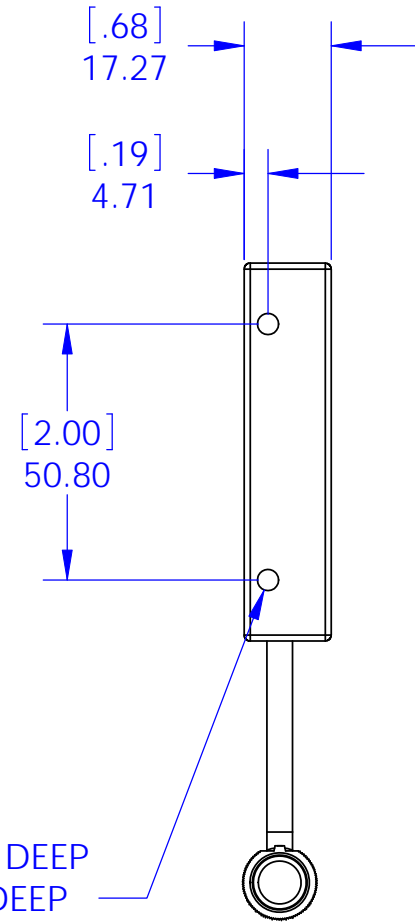
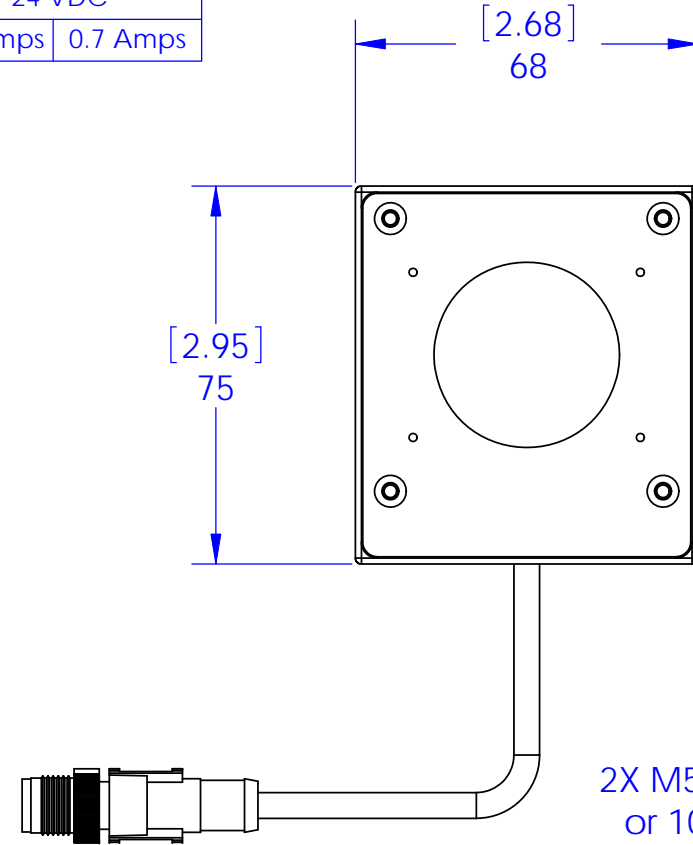


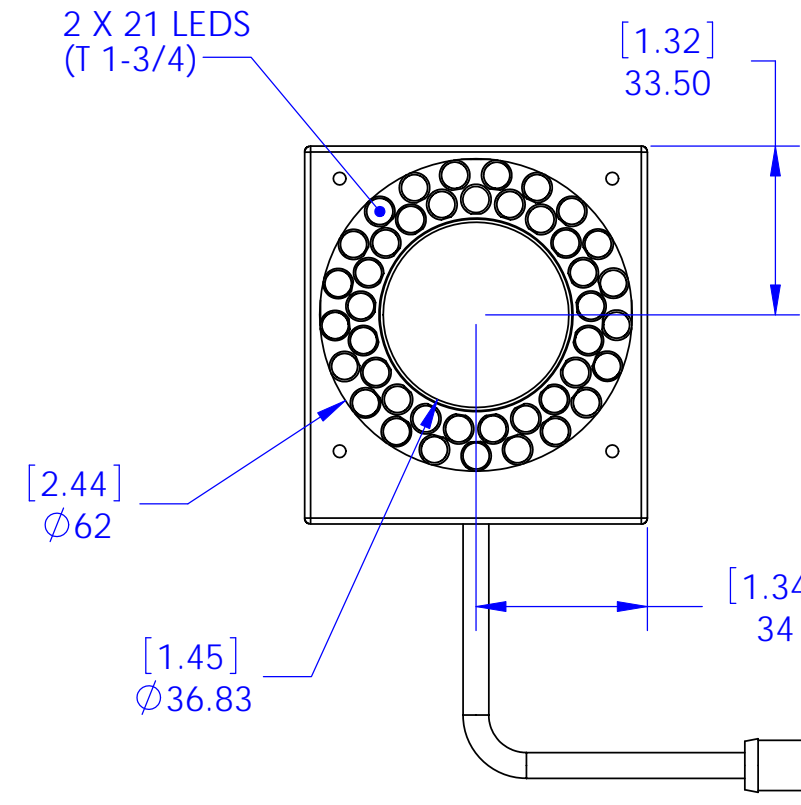
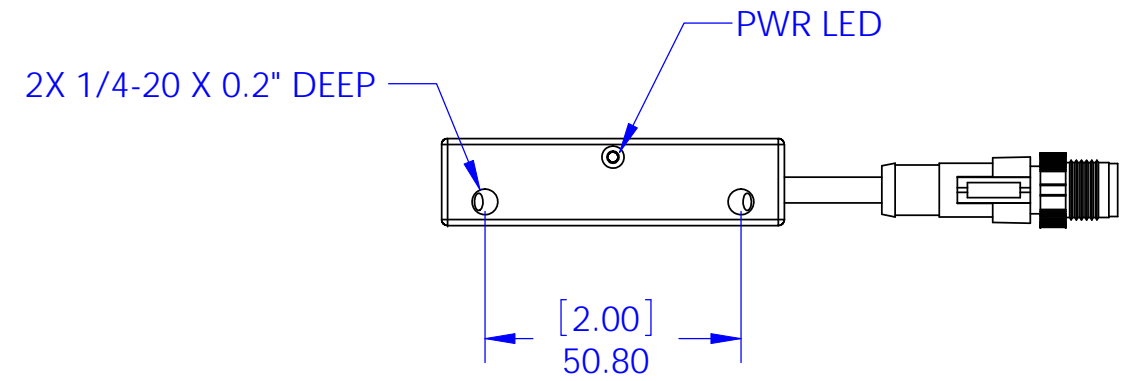
(661-0376-XXX) Part Number Specification

-XXX	COLOR	SPECTRUM
BL	Blue	470nm
IR	InfraRed	875nm
NIR	Near InfraRed	735nm
RD	Red	630nm
WHT	White	White

Power Input		
Mode	Static	Strobe
Voltage	24 VDC	
Current	0.3 Amps	0.7 Amps



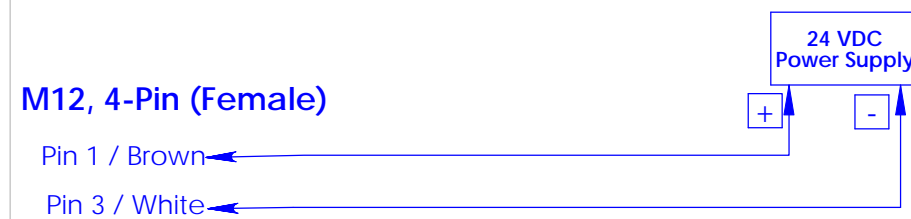
2X M5X0.8 X 5mm DEEP
or 10-32 X 0.20" DEEP
BOTH SIDES



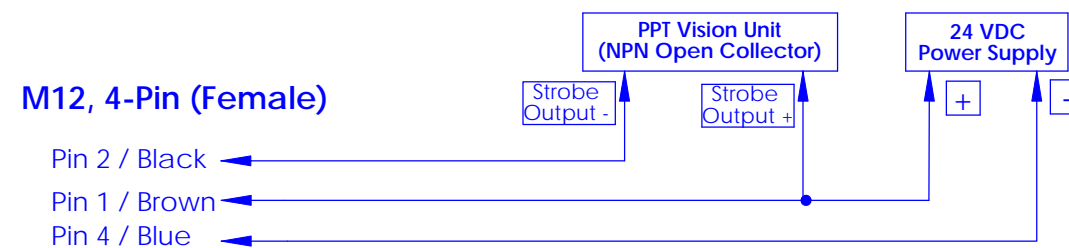
Standard M12, 4 PIN (MALE)

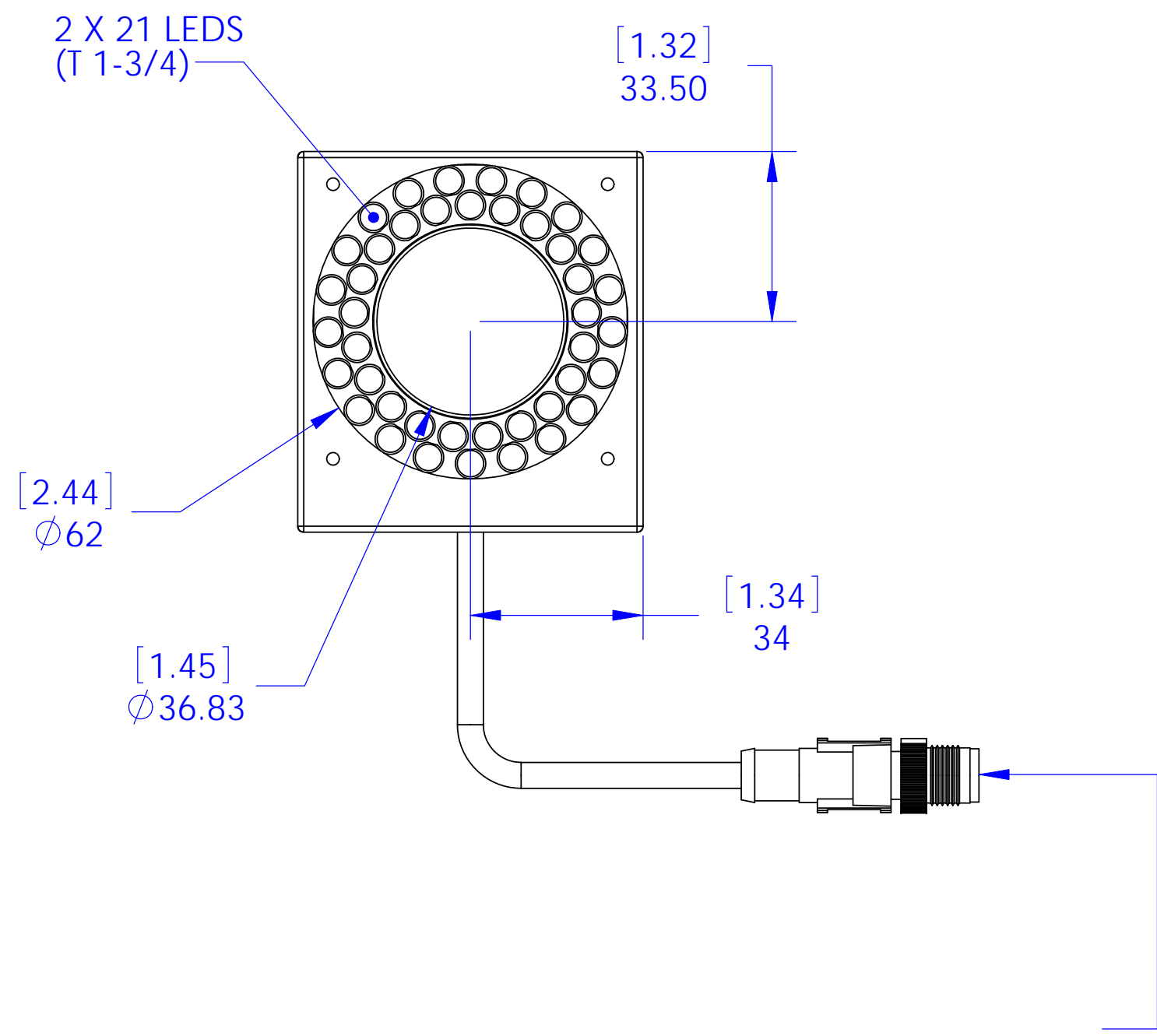
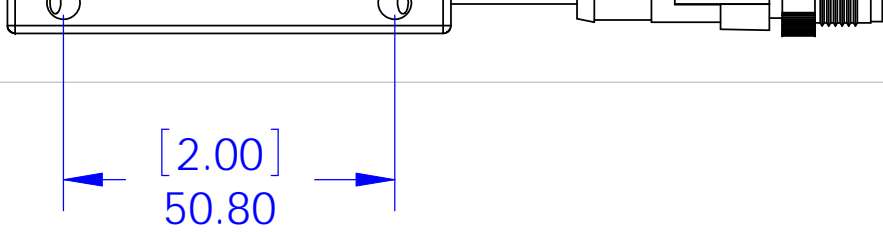
PIN	SIGNAL	COLOR
1	+24 VDC	Brown
2	Strobe Trigger +	Black
3	Static 0 VDC	White
4	Strobe 0 VDC	Blue

Static Mode Wiring Diagram



Strobe Mode Wiring Diagram





PPT VISION		12988 Valley View Road Eden Prairie, MN 55344	
LED RingLight- 2x21; T-13/4			
AAK; 9/19/06	844-2020	REV.	A
CAD FILE: 661-0376-XXX.SLDPRT		SHEET 2 OF 2	