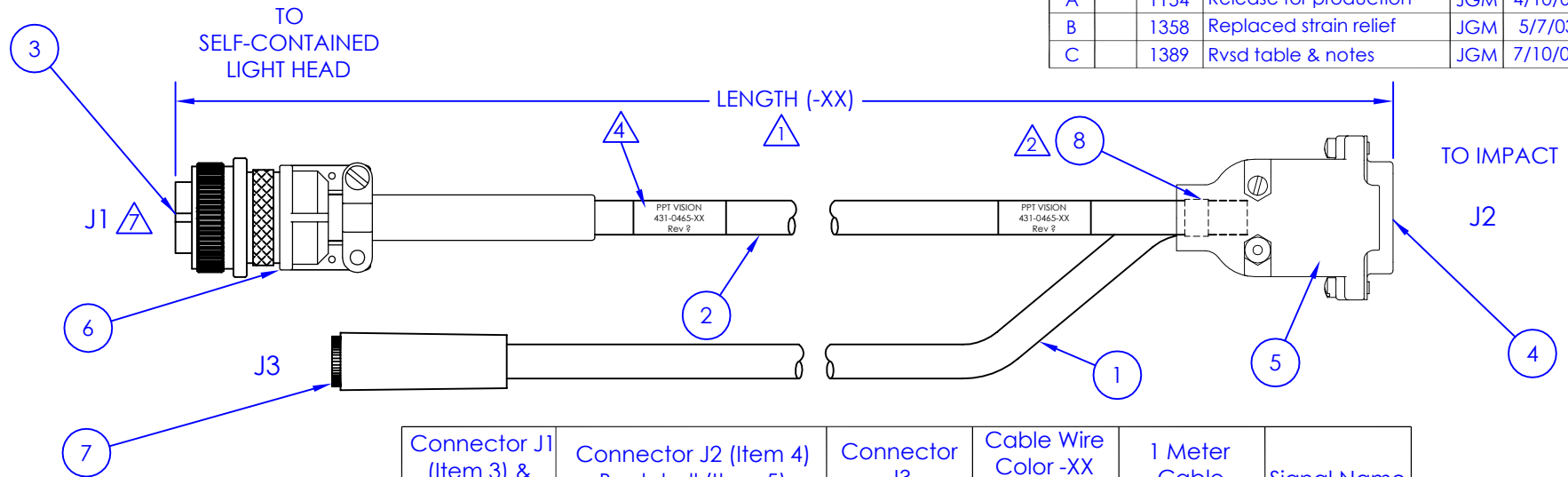


REV	NO.	ECO	CHANGE	BY	DATE	SHEET
A		1154	Release for production	JGM	4/10/02	
B		1358	Replaced strain relief	JGM	5/7/03	1 & 3
C		1389	Rvsd table & notes	JGM	7/10/03	1

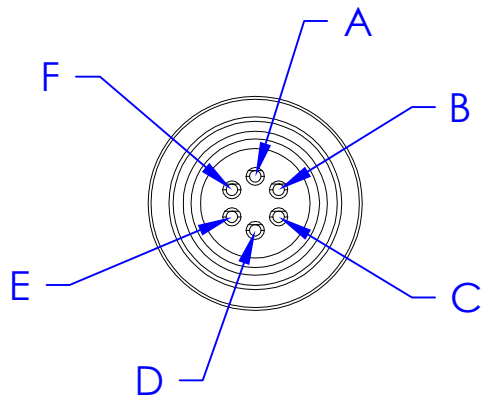


Connector J1 (Item 3) & Backshell (Item 6)	Connector J2 (Item 4) Backshell (Item 5) Ferrule (Item 8)	Connector J3 (Item 7)	Cable Wire Color -XX (Item 2)	1 Meter Cable (Item 1)	Signal Name
E	1		Red		Strobe 1 +
D	9		Green		Strobe 1 -
A		Center Tab	White	White	12 VDC
B		Outer Tab	Black	Black	Common
F	Ferrule		Shield		Shield

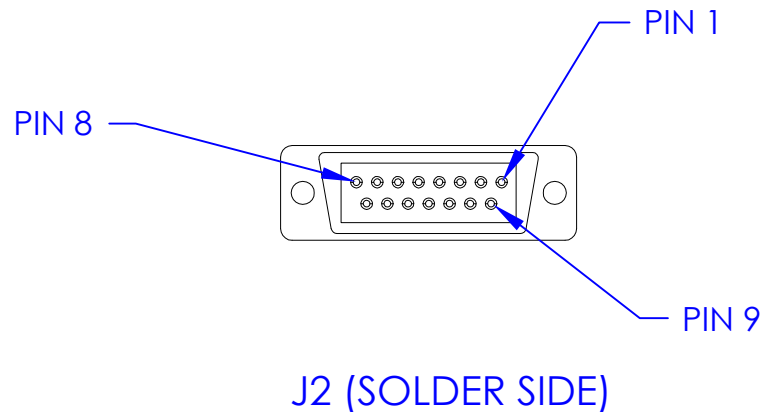
NOTES:

- 1 -XX designates length in meters.
- 2 Cable white and black wires are spliced together and soldered in the backshell of J2 with shrink tubing over each connection. Install ferrule on the outer jacket of both cables and fold the braided shield of both cables over the ferrule. Ferrule must be positioned in backshell strain relief area. See sheet 2.
- 3 Bend tabs over cable jacket. See sheet 2.
- 4 Add a label with "PPT Vision", the cable part number, and rev level to each end of the cable.
- 5 Tighten to fittings using minimum of 10ft/lbs and maximum of 15 ft/lbs or torque.
- 6 Do not cut jacket insulation back past strain relief.
- 7 Attach shield to connector shell. See sheet 3.
- 8. Apply shrink tubing over all connections.

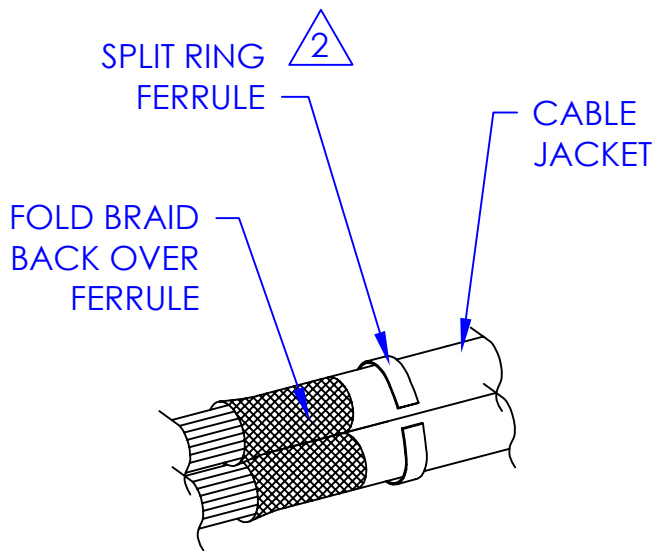
Tolerances		PPT VISION		12988 Valley View Road Eden Prairie, MN 55344	
.x	± .015	Cable Assy, Strobe Trig, Impact to Self-cont Light w/Variable Pulse			
.xx	± .010				
.xxx	± .005	Break all sharp corners unless noted			
All angles ±2°		DRAWN J. Manias			
DATE 2 Apr 02		B 431-0465-XX		REV C	
SCALE 1:1		SHEET 1 of 3			



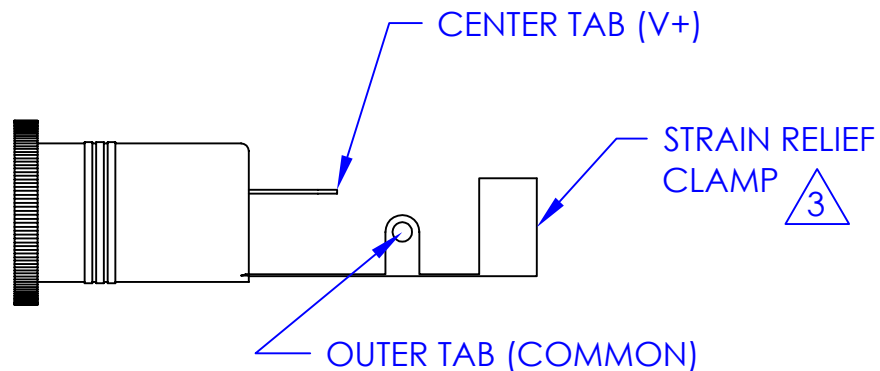
J1 (SOLDER SIDE)



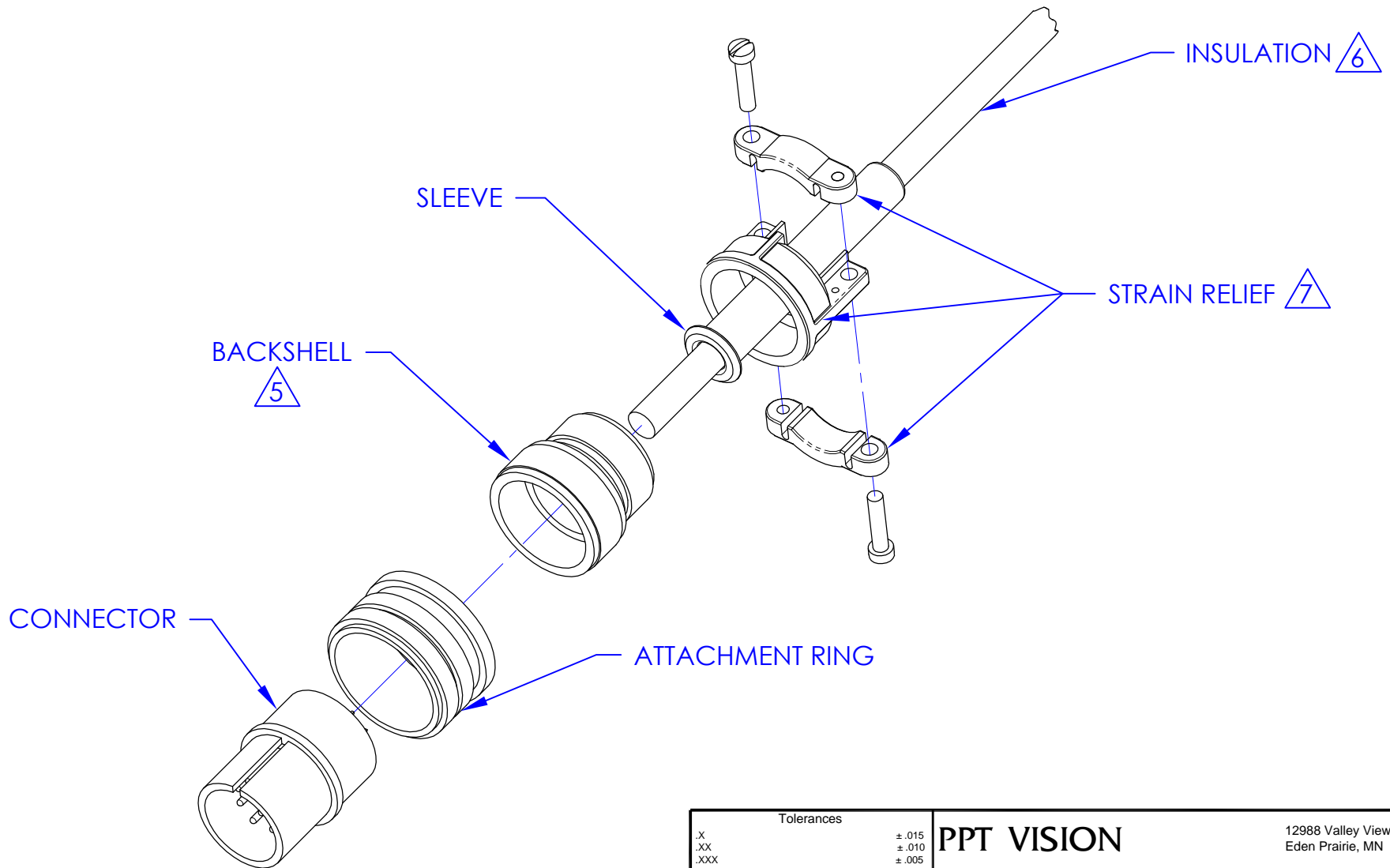
J2 (SOLDER SIDE)



J3



Tolerances		PPT VISION		12988 Valley View Road Eden Prairie, MN 55344	
.X	± .015	Cable Assy, Strobe Trig, Impact to Self-cont Light w/Variable Pulse		REV C	
.XX	± .010				
.XXX	± .005	DRAWN J. Manias		A 431-0465-XX	
All angles ±2°		DATE 2 Apr 02		SCALE 1:1	
Break all sharp corners unless noted		SHEET 2 of 3			



Tolerances .X ±.015 .XX ±.010 .XXX ±.005		PPT VISION 12988 Valley View Road Eden Prairie, MN 55344	
All angles ±2° Break all sharp corners unless noted		Cable Assy, Strobe Trig, Impact to Self-cont Light w/Variable Pulse	
DRAWN J. Manias	A	431-0465-XX	REV C
DATE 7 May 03	SCALE 3:4	SHEET 3 of 3	