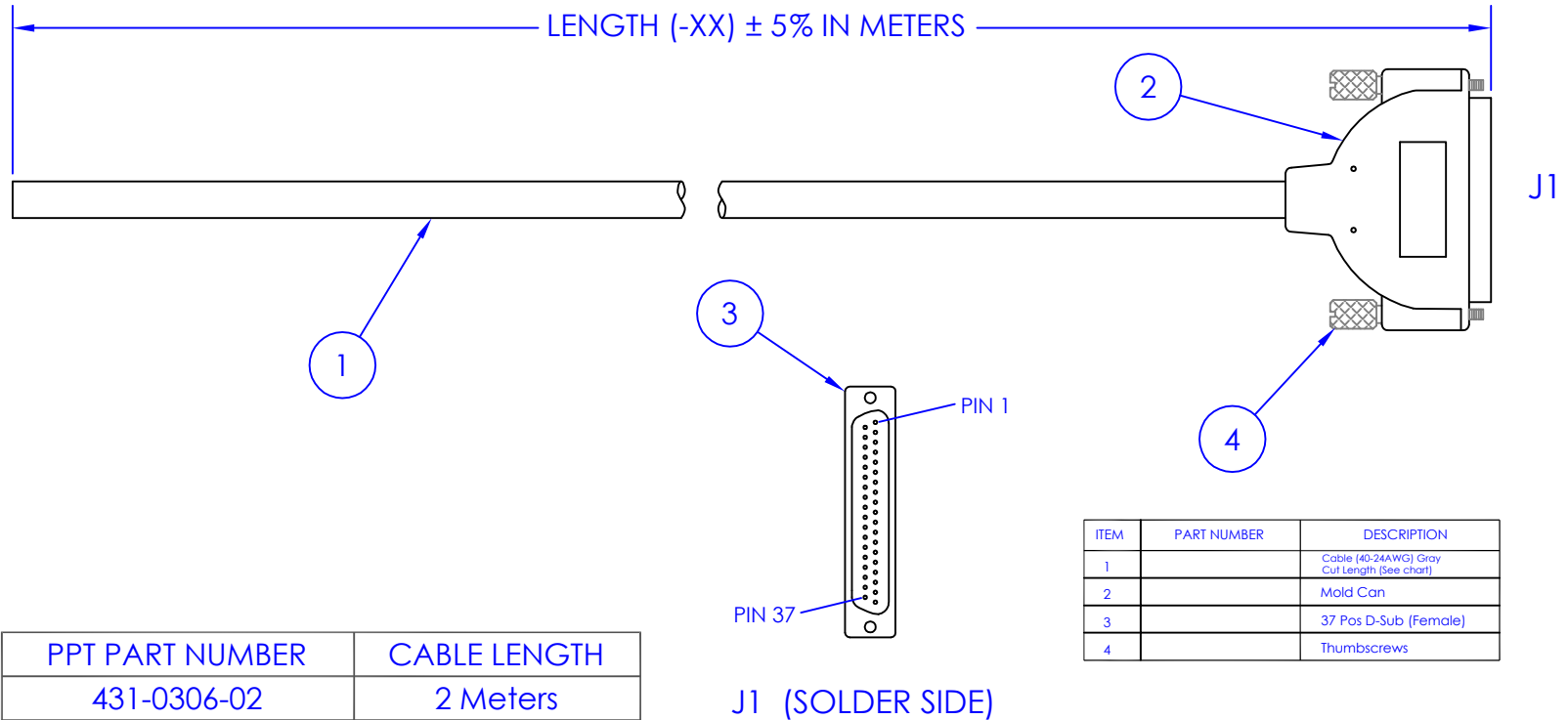


Print Revision

CHANGE LETTER	Description	Date	Approval
D	Initial release (ECO #1392)		

CONNECTOR J1 (ITEM 3)	CABLE (ITEM 1)
1	Black
2	White
3	Red
4	Green
5	Orange
6	Blue
7	White/Black
8	Red/Black
9	Green/Black
10	Orange/Black
11	Blue/Black
12	Black/White
13	Red/White
14	Green/White
15	Blue/White
16	Black/Red
17	White/Red
18	Orange/Red
19	Blue/Red
20	Red/Green
21	Orange/Green
22	Black/White/Red
23	White/Black/Red
24	Red/Black/White
25	Green/Black/White
26	Orange/Black/White
27	Blue/Black/White
28	Black/Red/Green
29	White/Red/Green
30	Red/Black/Green
31	Green/Black/Orange
32	Orange/Black/Green
33	Blue/White/Orange
34	Black/White/Orange
35	White/Red/Orange
36	Orange/White/Blue
37	White/Red/Blue



PPT PART NUMBER	CABLE LENGTH
431-0306-02	2 Meters
431-0306-05	5 Meters
431-0306-10	10 Meters
431-0306-15	15 Meters

ITEM	PART NUMBER	DESCRIPTION
1		Cable (40-24AWG) Gray Cut Length [See chart]
2		Mold Can
3		37 Pos D-Sub (Female)
4		Thumbscrews

NOTE 1: Item ② overmold using gray overmold.  
 NOTE 2: Equivalent components may be substituted.  
 NOTE 3: Connect cable shield to backshell.

Approvals
R+D
MFG

Customer Revision			Customer		DESCRIPTION	
REV	DATE	BY			PPT VISION	
D	7/22/03	JGM				
			PART NUMBER		REVISION	
			431-0306-XX		D	
			DRAWN BY		SHEET	
			L ROWLAND		1 of 1	
			7-17-03			